

WARMING TRENDS[®]

SUPERIOR FIRE FEATURE SYSTEMS



WARMING TRENDS®

The Warming Trends® Patent Pending CROSSFIRE® Brass Burner utilizes cutting-edge technology to produce a taller, brighter, fuller flame, replicating a natural, wood burning fire - all while consuming less gas.

Made from corrosion resistant and sustainable brass, CROSSFIRE® Brass Burners will not rust and come with a lifetime warranty. All burners are manufactured and assembled in the United States.

Warming Trends® specializes in:

- Custom designs
- Fastest delivery lead times in the industry
- Superior customer service

Side by side comparisons of a traditional stainless steel ring burner versus a CROSSFIRE® Brass Burner shows the difference in flame height and burn pattern.



Standard Ring Burner with 180K BTU's



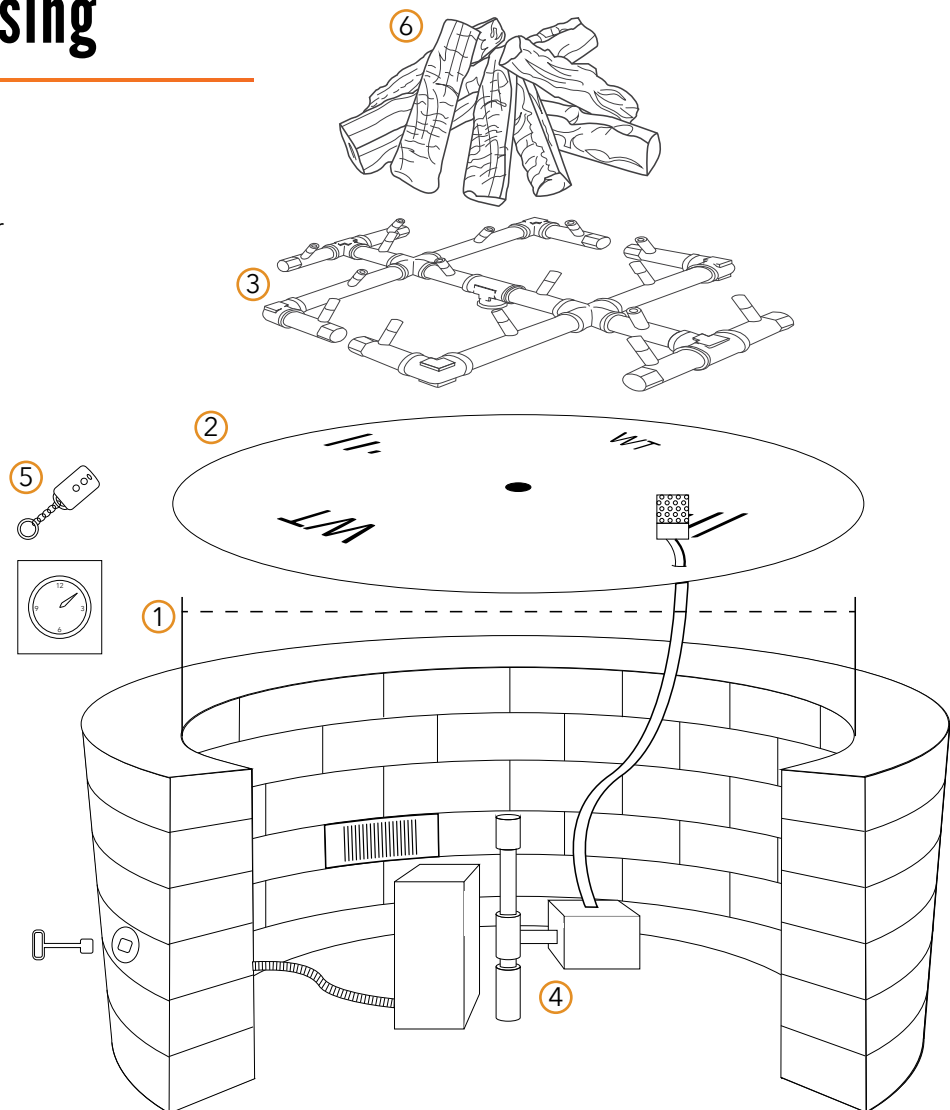
CFB180 CROSSFIRE® Brass Burner with 180k BTU's



WT

Six Steps to Purchasing

1. Measure the interior dimension of your fire pit.
2. Choose the corresponding Plate or Pan size. (Pans come standard with 2" welded sidewall).
3. Choose Burner and Fuel Type. (Natural Gas or Liquid Propane).
4. Choose your Ignition System: match lit, push button, or on/off switch.
5. Choose Electronic Add-Ons: remote control options, dial timers, and emergency stop buttons.
6. Complete the fire pit with Accessories: steel or ceramic logs, lava rock, or fire glass.



Know Before You Buy

Burner Size and Location

While your project is still in the planning stages, please consider your pit size vs. burner options. Please review our Burner Match for Common Interior Dimensions Chart on the following page to determine the best burner option for your fire feature. Burners must have 3" - 6" of clearance from all interior sides of the feature to avoid damage to the structure. Burners must be a minimum of 4" below the capstone.

BTU Supply

It is imperative to know the BTU supply at your fire feature to select the best CROSSFIRE® burner for your project. Remember to consider other appliances on the gas line (pool heater or grill) that may reduce BTU supply at the fire feature. CROSSFIRE® Brass Burners are designed to deliver an optimal flame height of 24"- 36" when supplied with the BTUs referenced in the burner name (CFB60 = 60,000BTUs). With a smaller BTU supply our burners continue to provide superior flame height. With a BTU supply 50% less than referenced in the burner, a CROSSFIRE® Brass Burners will deliver a flame height of 15" - 20". If BTU supply is a concern, please contact Warming Trends for recommendations and sample videos - we are here to help.

Gas Pressure

Gas supply pressure of the gas line should be measured by a gas professional to ensure Water Column pressure requirements are met. Natural Gas supply pressure at the fire feature should be between 3.5" and 7" Water Column Pressure; Liquid Propane supply pressure at the fire feature should be between 11" to 13" Water Column Pressure.

Burner Match for Common Interior Dimensions

Choose a burner based off of the inside dimension of your enclosure - the fire pit plate or pan must be 6" larger than the burner to provide at least 3" between the edge of the burner and the inside edge of the fire feature.

Standard Round or Square Fire Pits

INTERIOR DIMENSION	ROUND	SQUARE
24"	CFB120	CFB120
	CFBO180	CFBO180
30"	CFB180	CFB180
	CFB240	CFB240
	CFBO280	CFBO280
36"	CFB240	CFB240
	CFB290	CFB290
	CFBO280	CFBO280
42"	CFBO360	CFBO360

Gas Pipe Size Charts

Natural Gas

Inlet Pressure: Less than 2 psi

Pressure Drop: 0.5 in w.c.

Specific Gravity: 0.60

Natural Gas flow is given in thousands of BTU/hour. One cubic foot of NG gas = 1000 BTU's.

Pipe length must include additional length for all fittings. Add approximately 5 feet of pipe per fitting.

Natural Gas Example: A burner that requires 374,000 BTU would need a 1" pipe for a 30' long run.

Natural Gas Pipe Sizing Chart

Length of Pipe (ft)	PIPE SIZE (inches)								
	½"	¾"	1"	1 ¼"	1 ½"	2"	2 ½"	3"	4"
10	172	360	678	1,390	2,090	4,020	6,400	11,300	23,100
20	118	247	466	957	1,430	2,760	4,400	7,780	15,900
30	95	199	374	768	1,150	2,220	3,530	6,250	12,700
40	81	170	320	657	985	1,900	3,020	5,350	10,900
50	72	151	284	583	873	1,680	2,680	4,740	9,660
60	65	137	257	528	791	1,520	2,430	4,290	8,760
70	60	126	237	486	728	1,400	2,230	3,950	8,050
80	56	117	220	452	677	1,300	2,080	3,670	7,490
90	52	110	207	424	635	1,220	1,950	3,450	7,030
100	50	104	195	400	600	1,160	1,840	3,260	6,640
125	44	92	173	355	532	1,020	1,630	2,890	5,890
150	40	83	157	322	482	928	1,480	2,610	5,330

Liquid Propane

Inlet Pressure: 11.0 in w.c.

Pressure Drop: 0.5 in w.c.

Specific Gravity: 1.50

Liquid Propane gas flow is given in thousands of BTU/hour. One cubic foot of LP gas = 2516 BTU's.

This chart refers to low pressure Liquid Propane, after regulation.

Pipe length must include additional length for all fittings. Add approximately 5 feet of pipe per fitting.

Liquid Propane Example: A burner that requires 787,000 BTU would need a 1" pipe for a 20' long run.

Liquid Propane Pipe Sizing Chart

Length of Pipe (ft)	PIPE SIZE (inches)								
	½"	¾"	1"	1 ¼"	1 ½"	2"	2 ½"	3"	4"
10	291	608	1,150	2,350	3,520	6,790	10,800	19,100	39,000
20	200	418	787	1,620	2,420	4,660	7,430	13,100	26,800
30	160	336	632	1,300	1,940	3,750	5,970	10,600	21,500
40	137	287	541	1,110	1,660	3,210	5,110	9,030	18,400
50	122	255	480	985	1,480	2,840	4,530	8,000	16,300
60	110	231	434	892	1,340	2,570	4,100	7,250	14,800
80	101	212	400	821	1,230	2,370	3,770	6,670	13,600
100	94	197	372	763	1,140	2,200	3,510	6,210	12,700
125	89	185	349	716	1,070	2,070	3,290	5,820	11,900
150	84	175	330	677	1,010	1,950	3,110	5,500	11,200

FOR CIRCULAR OR SQUARE OPENINGS

Designed for standard sized square or circular fire features, these CROSSFIRE® Brass Burners range from 60K to 500K BTUs.

When deciding which burner is right for you, remember:

- to consult the guides on pages 4 and 5 for information on pipe sizing, BTUs, and size compatibility
- necessary clearances from the burner to capstone and other surroundings
- replacing a steel ring burner for a CROSSFIRE Brass Burner is simple

Need a different size? Custom shape? Questions about BTUs? We're happy to help. Call our Flame Consultants at 877 556 5255



Original



Octagonal



Circular Tree-Style



Square Tree-Style

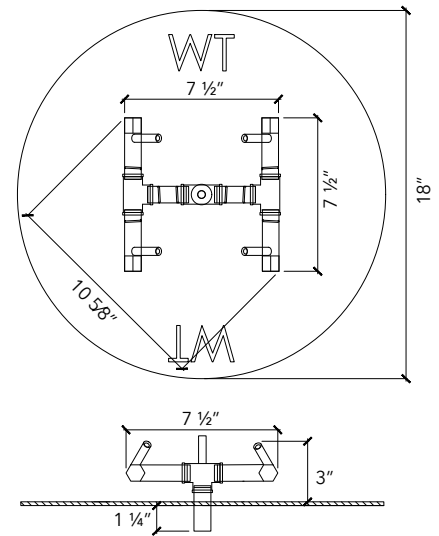




CFB60

CFB60NG CFB60LP	60K BTU Original Brass Burner
ALPL18C	18" Circular Plate
ALPL18S	18" Square Plate
COLLAR	Requires x3 Collars
FLKV12	½" Flex Line Kit

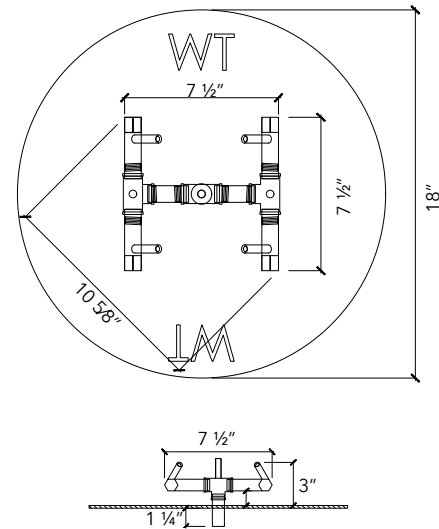
Ignition Systems: Push Button, 3 Volt, 24 Volt Spark Ignition, 24 Volt Hot Surface Ignition (SC)



CFB84

CFB84NG CFB84LP	84K BTU Original Brass Burner
ALPL18C	18" Circular Plate
ALPL18S	18" Square Plate
COLLAR	Requires x3 Collars
FLKV12	½" Flex Line Kit

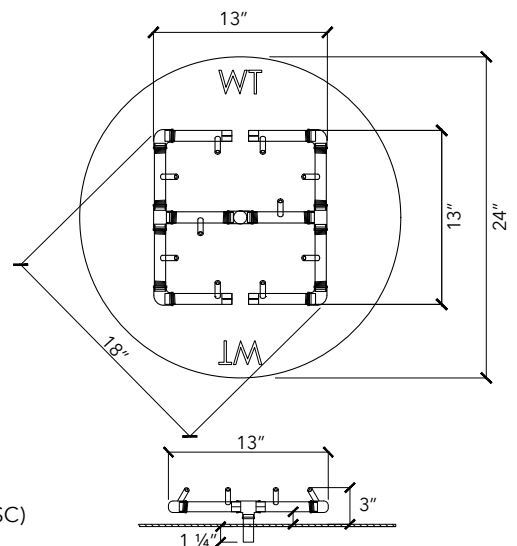
Ignition Systems: Push Button, 3 Volt, 24 Volt Spark Ignition, 24 Volt Hot Surface Ignition (SC)



CFB120

CFB120NG CFB120LP	120K BTU Original Brass Burner
ALPL24C	24" Circular Plate
ALPL24S	24" Square Plate
COLLAR	Requires x4 Collars
FLKV12	½" Flex Line Kit

Ignition Systems: Push Button, 3 Volt, 24 Volt Spark Ignition, 24 Volt Hot Surface Ignition (SC)

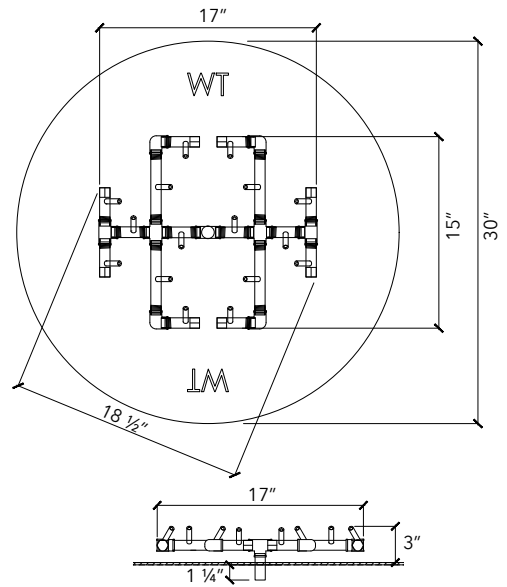




CFB180

CFB180NG CFB180LP	180K BTU Original Brass Burner
ALPL30C	30" Circular Plate
ALPL30S	30" Square Plate
COLLAR	Requires x5 Collars
FLKV34FIT180	3/4" Flex Line + FIT180

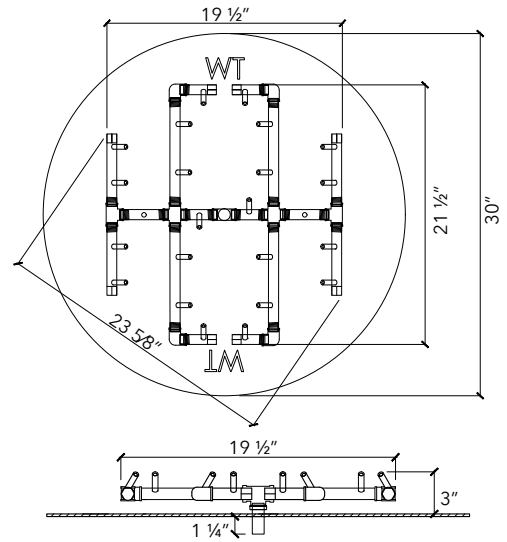
Ignition Systems: Push Button, 24 Volt Spark Ignition, 24 Volt Hot Surface Ignition (SC)



CFB240

CFB240NG CFB240LP	240K BTU Original Brass Burner
ALPL30C	30" Circular Plate
ALPL30S	30" Square Plate
COLLAR	Requires x5 Collars
FLKV34FIT180	3/4" Flex Line + FIT180

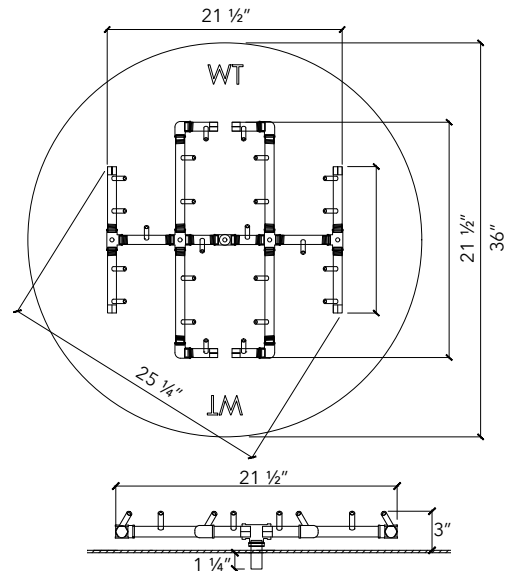
Ignition Systems: Push Button, 24 Volt Spark Ignition, 24 Volt Hot Surface Ignition (SC)



CFB290

CFB290NG CFB290LP	290K BTU Original Brass Burner
ALPL36C	36" Circular Plate
ALPL36S	36" Square Plate
COLLAR	Requires x6 Collars
DFLKV34FIT250	3/4" Dual Flex Line + FIT250

Ignition Systems: Push Button, 24 Volt Spark Ignition, 24 Volt Hot Surface Ignition (SC)

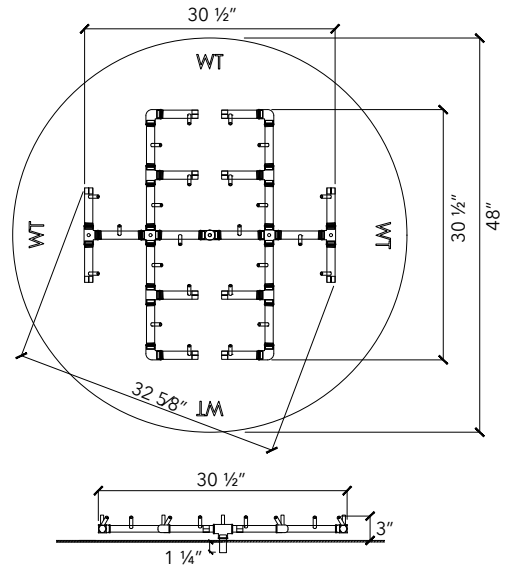




CFB350

CFB350NG CFB350LP	350K BTU Original Brass Burner
ALPL48C	48" Circular Plate
ALPL48S	48" Square Plate
COLLAR	Requires x8 Collars
DFLKV34FIT300	¾" Dual Flex Line Kit + FIT300

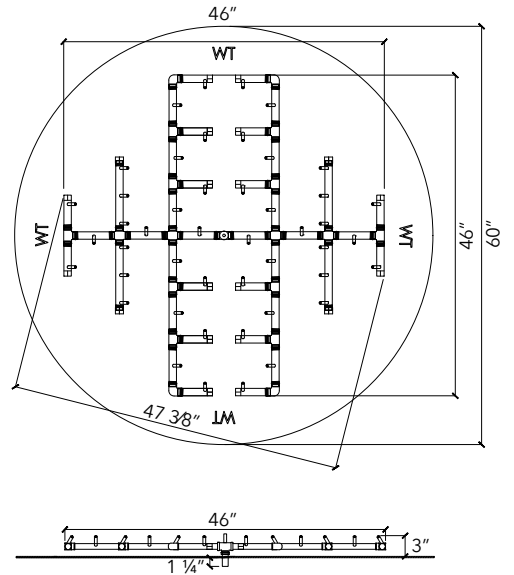
Ignition Systems: 24 Volt Spark Ignition, 24 Volt Hot Surface Ignition (HC)



CFB450

CFB450NG CFB450LP	450K BTU Original Brass Burner
ALPL60C	60" Circular Plate
ALPL60S	60" Square Plate
COLLAR	Requires x10 Collars
DFLKV34FIT300	¾" Dual Flex Line Kit + FIT300

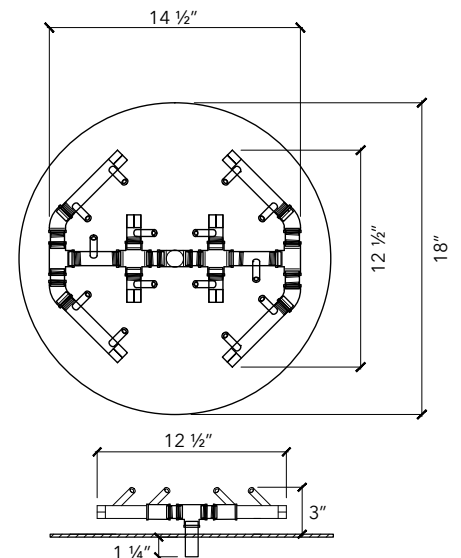
Ignition Systems: 24 Volt Spark Ignition, 24 Volt Hot Surface Ignition (HC)



CFBO140

CFBO140NG CFBO140LP	140K BTU Octagonal Brass Burner
ALPL18C	18" Circular Plate
ALPL18S	18" Square Plate
COLLAR	Requires x3 Collars
FLKV34FIT180	¾" Flex Line Kit + FIT180

Ignition Systems: Push Button, 24 Volt Spark Ignition, 24 Volt Hot Surface Ignition (SC)

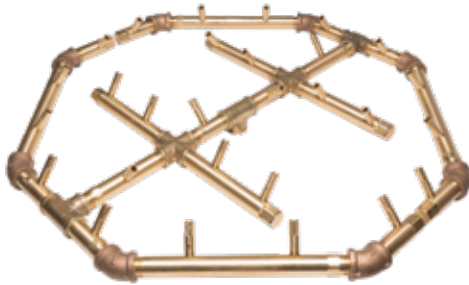
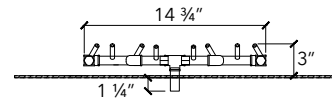
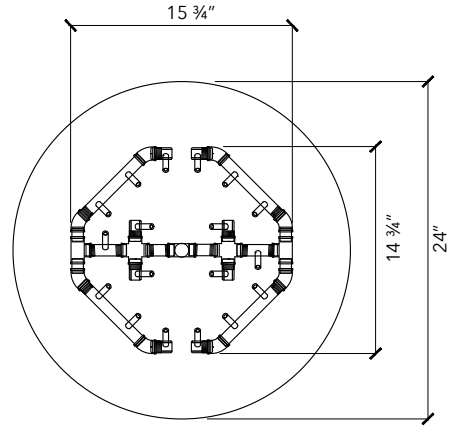




CFBO180

CFBO180NG CFBO180LP	180K BTU Octagonal Brass Burner
ALPL24C	24" Circular Plate
ALPL24S	24" Square Plate
COLLAR	Requires x4 Collars
FLKV34FIT180	3/4" Flex Line Kit + FIT180

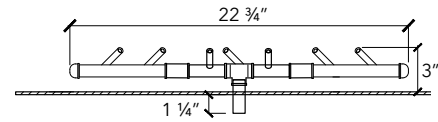
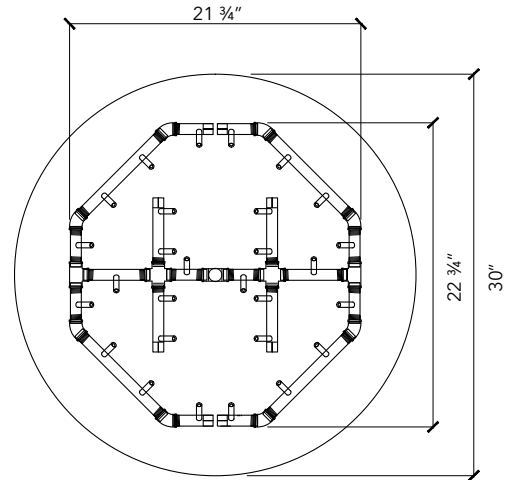
Ignition Systems: Push Button, 24 Volt Spark Ignition, 24 Volt Hot Surface Ignition (SC)



CFBO280

CFBO280NG CFBO280LP	280K BTU Octagonal Brass Burner
ALPL30C	30" Circular Plate
ALPL30S	30" Square Plate
COLLAR	Requires x5 Collars
DFLKV34FIT250	3/4" Dual Flex Line Kit + FIT250

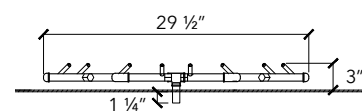
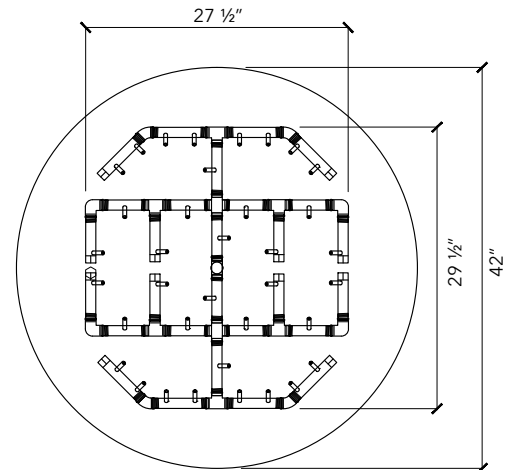
Ignition Systems: Push Button, 24 Volt Spark Ignition, 24 Volt Hot Surface Ignition (SC)



CFBO360

CFBO360NG CFBO360LP	360K BTU Octagonal Brass Burner
ALPL42C	42" Circular Plate
ALPL42S	42" Square Plate
COLLAR	Requires x7 Collars
DFLKV34FIT300	3/4" Dual Flex Line Kit + FIT300

Ignition Systems: 24 Volt Spark Ignition, 24 Volt Hot Surface Ignition (HC)

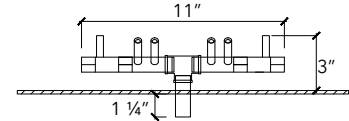
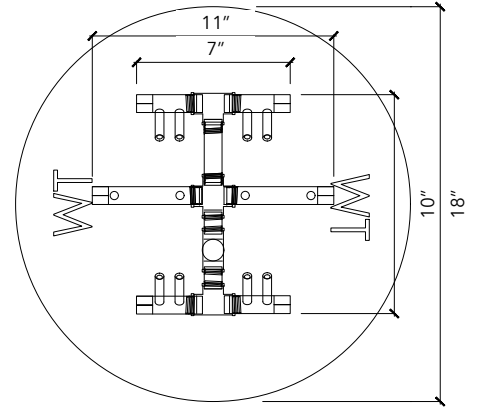




CFBCTL120

CFBCTL120NG CFBCTL120LP	120K BTU Octagonal Brass Burner
ALPL18C	18" Circular Plate
COLLAR	Requires x3 Collars
FLKV12	½" Flex Line Kit

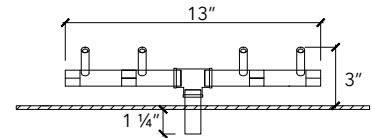
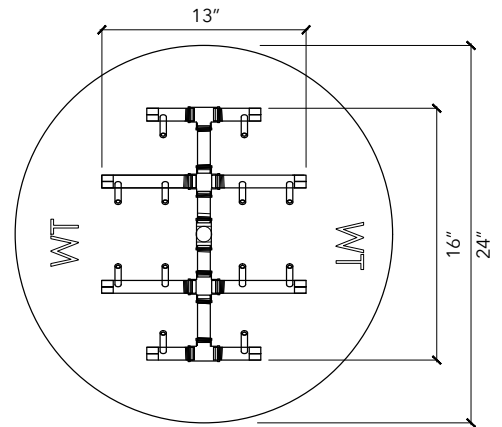
Ignition Systems: Push Button, 3 Volt, 24 Volt Spark Ignition, 24 Volt Hot Surface Ignition (SC)



CFBCTL120

CFBCTL120NG CFBCTL120LP	120K BTU Octagonal Brass Burner
ALPL24C	24" Circular Plate
COLLAR	Requires x4 Collars
FLKV12	½" Flex Line Kit

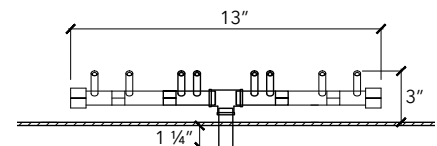
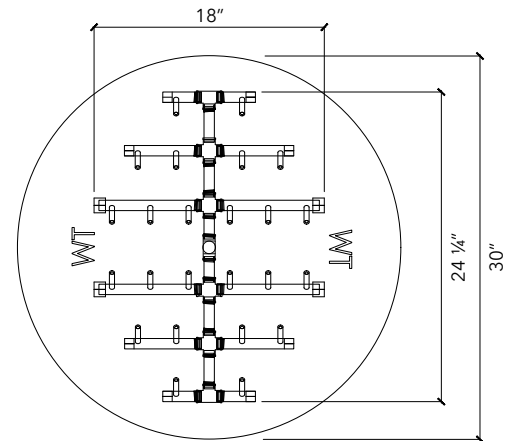
Ignition Systems: Push Button, 3 Volt, 24 Volt Spark Ignition, 24 Volt Hot Surface Ignition (SC)

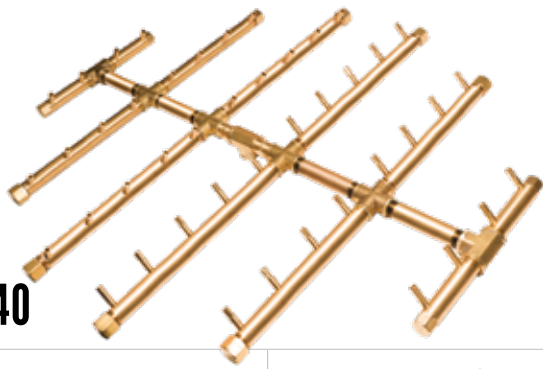


CFBCTL240

CFBCTL240NG CFBCTL240LP	240K BTU Octagonal Brass Burner
ALPL30C	30" Circular Plate
COLLAR	Requires x5 Collars
FLKV34FIT180	¾" Flex Line Kit + FIT180

Ignition Systems: Push Button, 24 Volt Spark Ignition, 24 Volt Hot Surface Ignition (SC)

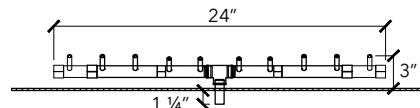
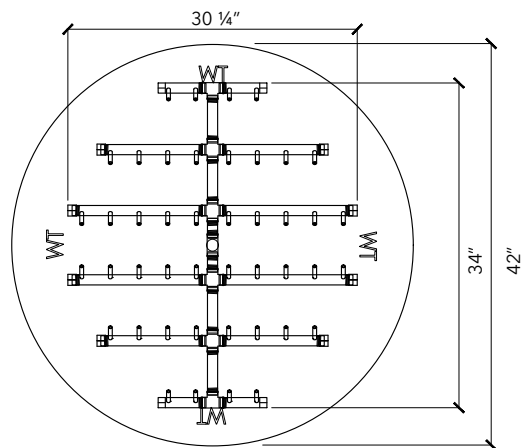




CFBCT440

CFBCT440NG CFBCT440LP	440K BTU Octagonal Brass Burner
ALPL42C	42" Circular Plate
COLLAR	Requires x7 Collars
DFLKV34FIT300	3/4" Dual Flex Line Kit + FIT300

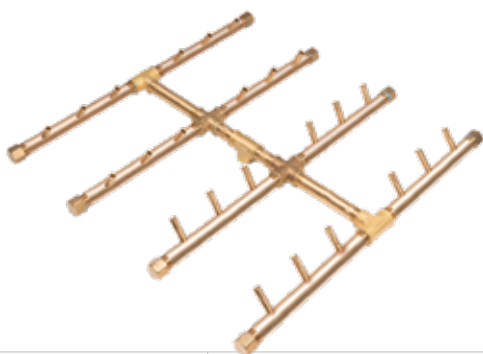
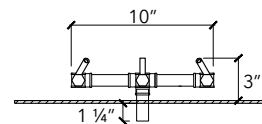
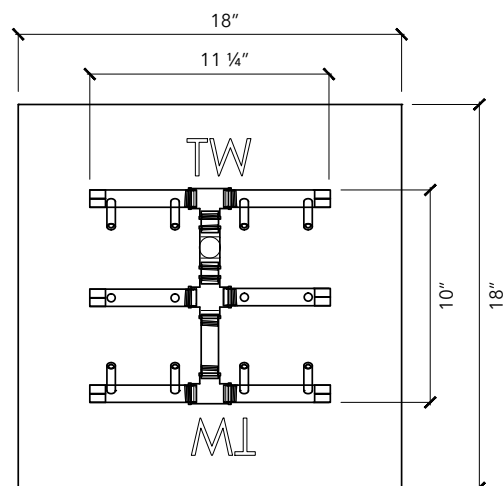
Ignition Systems: 24 Volt Hot Surface Ignition (HC)



CFBST120

CFBST120NG CFBST120LP	120K BTU Octagonal Brass Burner
ALPL18S	18" Square Plate
COLLAR	Requires x4 Collars
FLKV12	1/2" Flex Line Kit

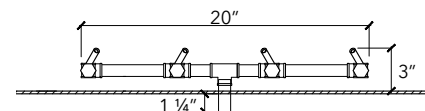
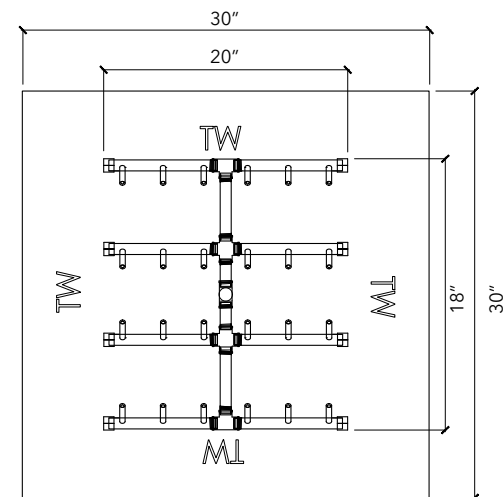
Ignition Systems: Push Button, 3 Volt, 24 Volt Spark Ignition, 24 Volt Hot Surface Ignition (SC)



CFBST240

CFBST240NG CFBST240LP	240K BTU Octagonal Brass Burner
ALPL30S	30" Square Plate
COLLAR	Requires x5 Collars
FLKV34FIT180	3/4" Flex Line Kit + FIT180

Ignition Systems: Push Button, 24 Volt Spark Ignition, 24 Volt Hot Surface Ignition (SC)

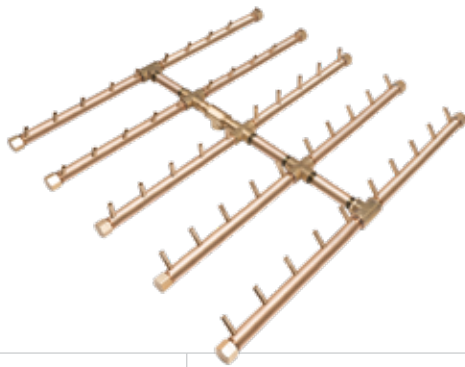
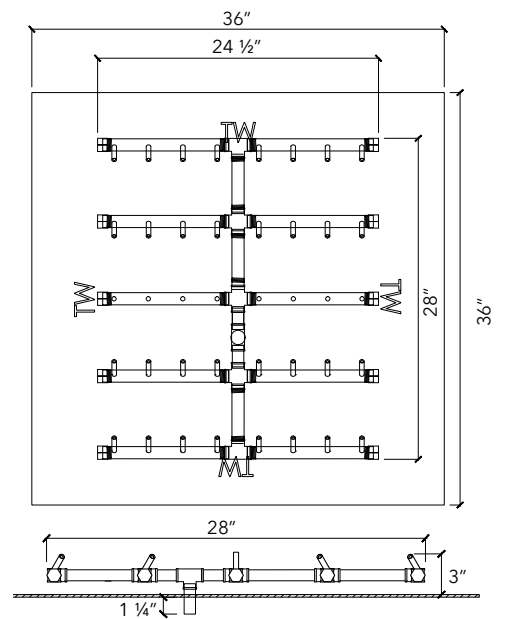




CFBST400

CFBST400NG CFBST400LP	400K BTU Octagonal Brass Burner
ALPL36S	36" Square Plate
COLLAR	Requires x6 Collars
DFLKV34FIT300	¾" Dual Flex Line Kit + FIT300

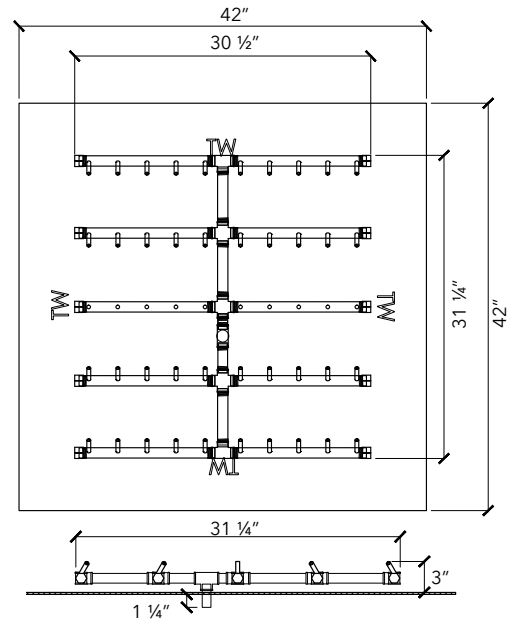
Ignition Systems: 24 Volt Spark Ignition, 24 Volt Hot Surface Ignition (HC)



CFBST500

CFBST500NG CFBST500LP	500K BTU Octagonal Brass Burner
ALPL42S	42" Square Plate
COLLAR	Requires x7 Collars
DFLKV34FIT300	¾" Dual Flex Line Kit + FIT300

Ignition Systems: 24 Volt Hot Surface Ignition (HC)

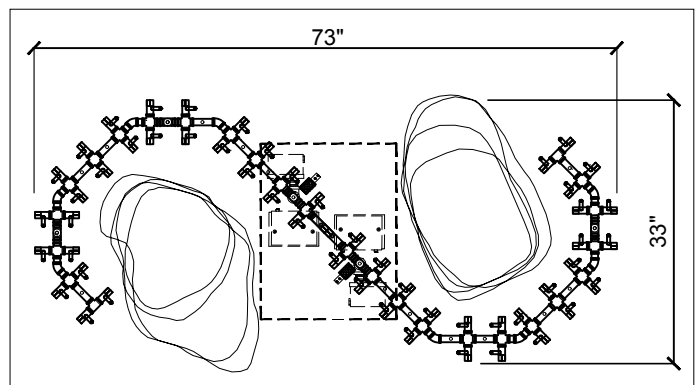


CUSTOM DESIGNED BURNER SYSTEMS

Working one-on-one with clients across the country, we design, fabricate and build each piece to fit the unique requirements and style of every custom project. Give us the space, we'll fill it with fire.

Every CROSSFIRE Brass Burner is made in Colorado, is expertly designed, 100% tested, and backed by a lifetime warranty.

Whatever your vision, we can bring it to life.



FOR RECTANGULAR OPENINGS

Designed for standard sized rectangular fire features, these CROSSFIRE® Brass Burners range from 90K to 480K BTUs.

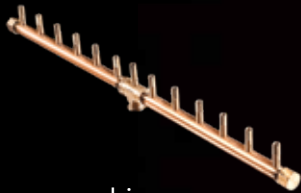
When deciding which burner is right for you, remember:

- to consult the guides on pages 4 and 5 for information on pipe sizing, BTUs, and size compatibility
- necessary clearances from the burner to capstone and other surroundings
- replacing a steel ring burner for a CROSSFIRE Brass Burner is simple

Need a different size? Custom shape? Questions about BTUs? We're happy to help. Call our Flame Consultants at 877 556 5255



Tree-Style



Linear



H-Style



Double Tree-Style

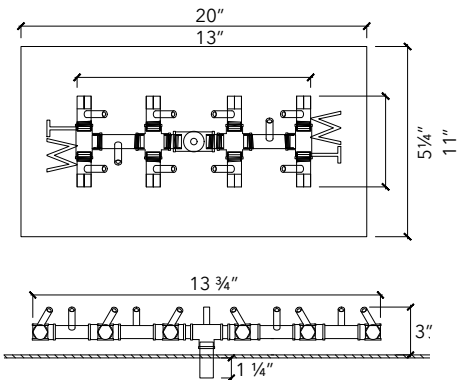




CFBT110

CFBT110NG CFBT110LP	110K BTU Tree-Style Brass Burner
ALPL2011	20" x 11" Plate
COLLAR	Requires x3 Collars
FLKV12	½" Flex Line Kit

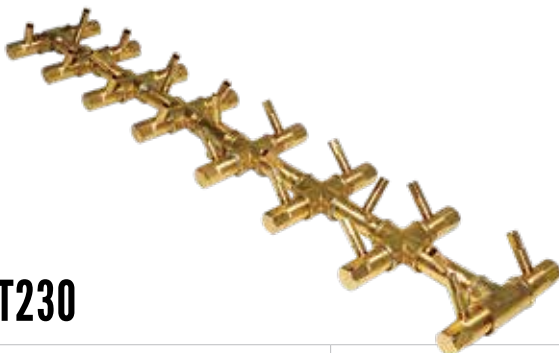
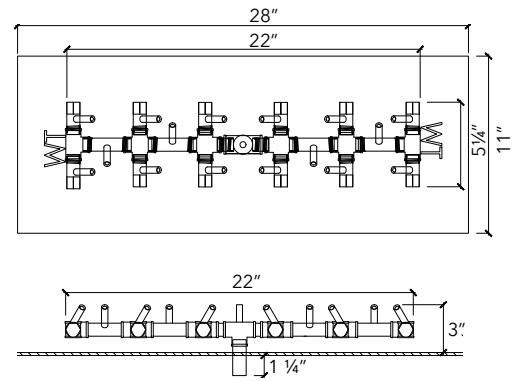
Ignition Systems: Push Button, 3 Volt, 24 Volt Spark Ignition, 24 Volt Hot Surface Ignition (SC)



CFBT170

CFBT170NG CFBT170LP	170K BTU Tree-Style Brass Burner
ALPL2811	28" x 11" Plate
COLLAR	Requires x4 Collars
FLKV34FIT180	¾" Flex Line Kit + FIT180

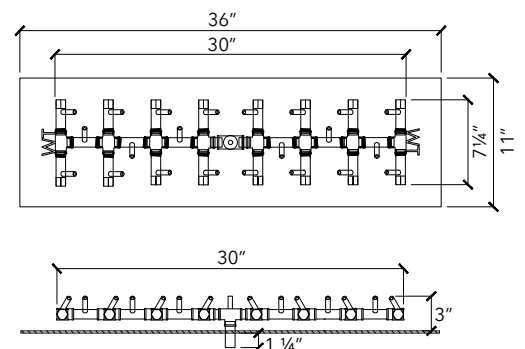
Ignition Systems: Push Button, 24 Volt Spark Ignition, 24 Volt Hot Surface Ignition (SC)



CFBT230

CFBT230NG CFBT230LP	230K BTU Tree-Style Brass Burner
ALPL3611	36" x 11" Plate
COLLAR	Requires x5 Collars
FLKV34FIT180	¾" Flex Line Kit + FIT180

Ignition Systems: Push Button, 24 Volt Spark Ignition, 24 Volt Hot Surface Ignition (SC)

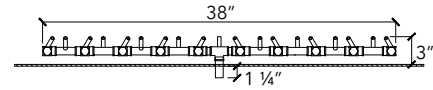
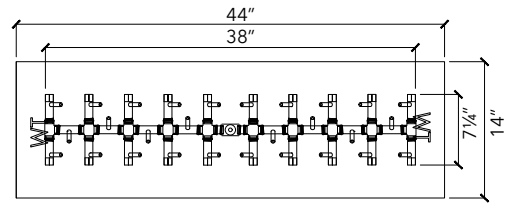




CFBT290

CFBT290NG CFBT290LP	290K BTU Tree-Style Brass Burner
ALPL4414	44" x 14" Plate
COLLAR	Requires x5 Collars
DFLKV34FIT250	¾" Dual Flex Line Kit + FIT250

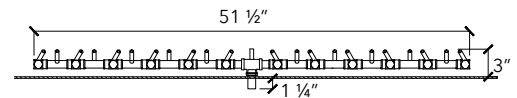
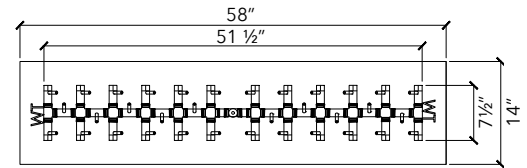
Ignition Systems: Push Button, 24 Volt Spark Ignition, 24 Volt Hot Surface Ignition (SC)



CFBT350

CFBT350NG CFBT350LP	350K BTU Tree-Style Brass Burner
ALPL5814	58" x 14" Plate
COLLAR	Requires x7 Collars
DFLKV34FIT300	¾" Dual Flex Line Kit + FIT300

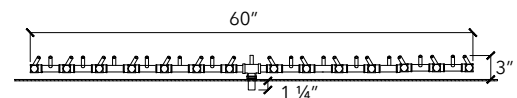
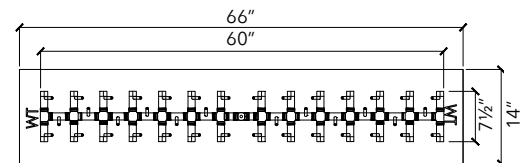
Ignition Systems: 24 Volt Hot Surface Ignition (HC)

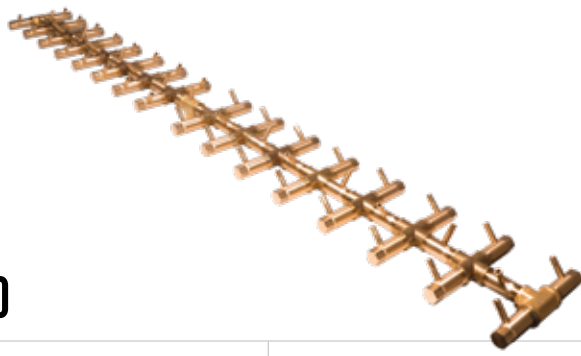


CFBT410

CFBT410NG CFBT410LP	410K BTU Tree-Style Brass Burner
ALPL6614	66" x 14" Plate
COLLAR	Requires x8 Collars
DFLKV34FIT300	¾" Dual Flex Line Kit + FIT300

Ignition Systems: 24 Volt Hot Surface Ignition (HC)

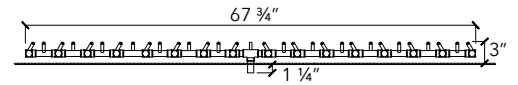
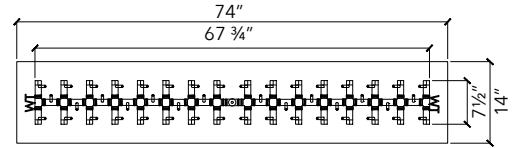




CFBT470

CFBT470NG CFBT470LP	470K BTU Tree-Style Brass Burner
ALPL7414	74" x 14" Plate
COLLAR	Requires x9 Collars
DFLKV34FIT300	¾" Dual Flex Line Kit + FIT300

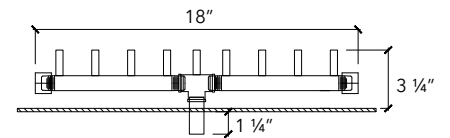
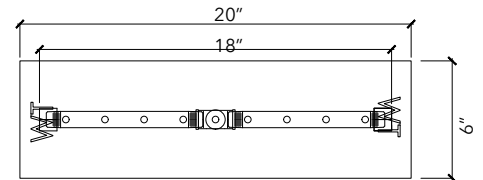
Ignition Systems: 24 Volt Hot Surface Ignition (HC)



CFBL90

CFBL90NG CFBL90LP	90K BTU Linear Brass Burner
ALPL206	20" x 6" Plate
COLLAR	Requires x3 Collars
FLKV12	½" Flex Line Kit

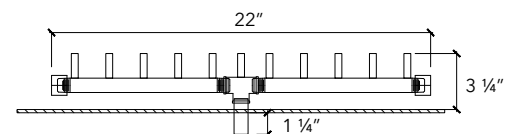
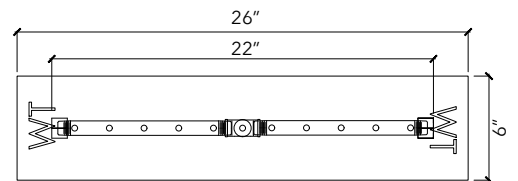
Ignition Systems: Push Button, 3 Volt, 24 Volt Spark Ignition, 24 Volt Hot Surface Ignition (SC)

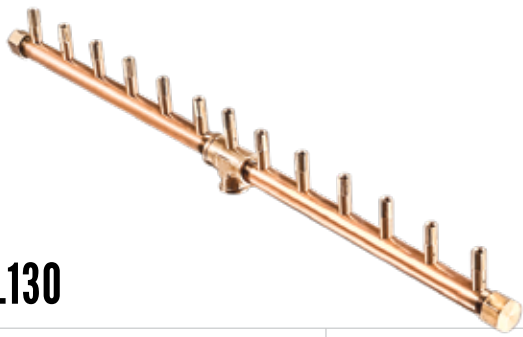


CFBL110

CFBL110NG CFBL10LP	110K BTU Linear Brass Burner
ALPL266	26" x 6" Plate
COLLAR	Requires x3 Collars
FLKV12	½" Flex Line Kit

Ignition Systems: Push Button, 3 Volt, 24 Volt Spark Ignition, 24 Volt Hot Surface Ignition (SC)

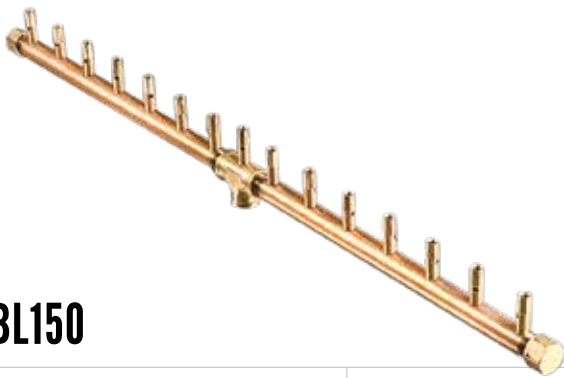
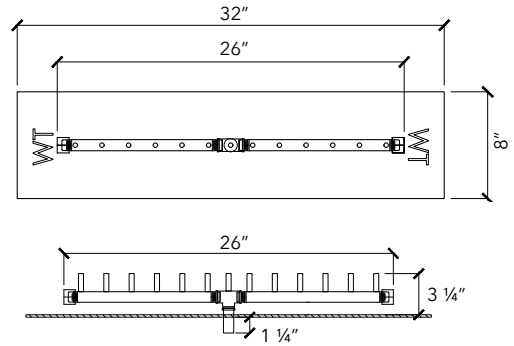




CFBL130

CFBL130NG CFBL30LP	130K BTU Linear Brass Burner
ALPL328	32" x 8" Plate
COLLAR	Requires x4 Collars
FLKV34FIT189	3/4" Flex Line Kit + FIT180

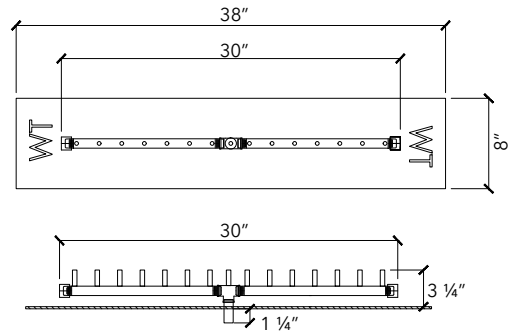
Ignition Systems: Push Button, 24 Volt Spark Ignition, 24 Volt Hot Surface Ignition (SC)



CFBL150

CFBL150NG CFBL150LP	150K BTU Linear Brass Burner
ALPL388	38" x 8" Plate
COLLAR	Requires x4 Collars
FLKV34FIT180	3/4" Flex Line Kit + FIT180

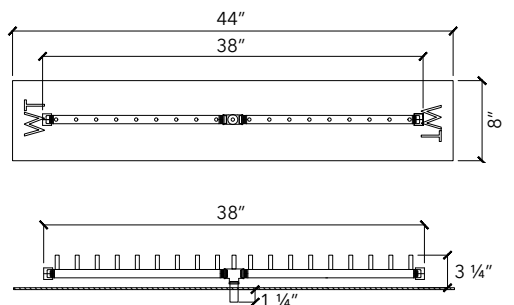
Ignition Systems: Push Button, 24 Volt Spark Ignition, 24 Volt Hot Surface Ignition (SC)

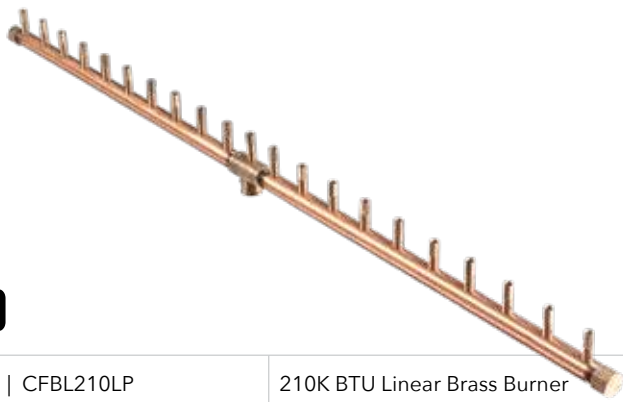


CFBL190

CFBL190NG CFBL190LP	190K BTU Linear Brass Burner
ALPL448	44" x 8" Plate
COLLAR	Requires x5 Collars
FLKV34FIT180	3/4" Flex Line Kit + FIT180

Ignition Systems: Push Button, 24 Volt Spark Ignition, 24 Volt Hot Surface Ignition (SC)

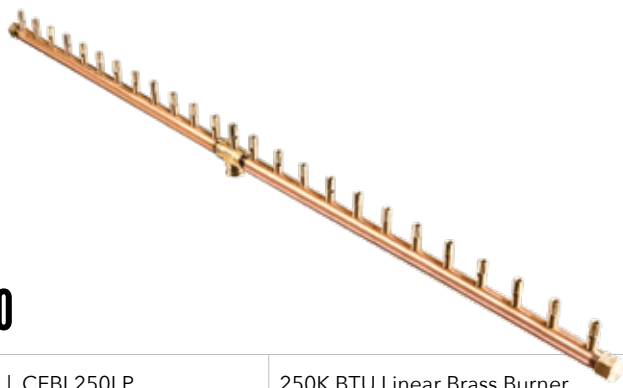
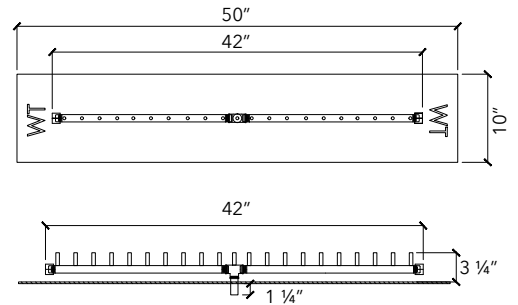




CFBL210

CFBL210NG CFBL210LP	210K BTU Linear Brass Burner
ALPL5010	50" x 10" Plate
COLLAR	Requires x6 Collars
FLKV34FIT180	¾" Flex Line Kit + FIT180

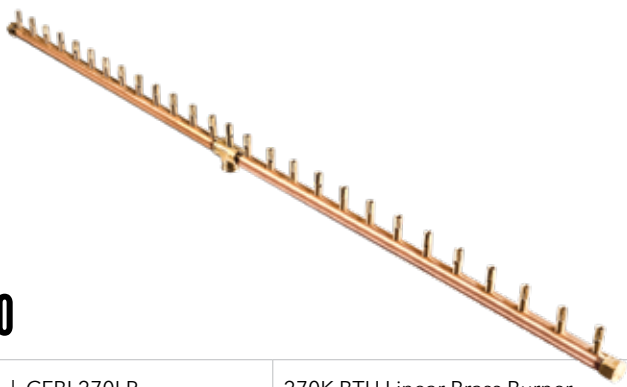
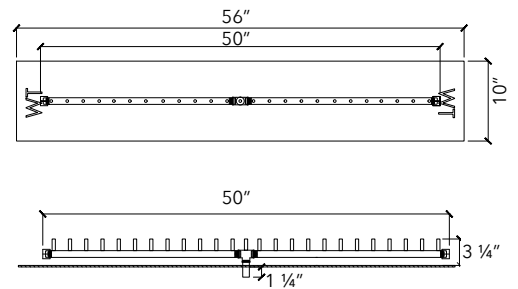
Ignition Systems: Push Button, 24 Volt Spark Ignition, 24 Volt Hot Surface Ignition (SC)



CFBL250

CFBL250NG CFBL250LP	250K BTU Linear Brass Burner
ALPL5610	56" x 10" Plate
COLLAR	Requires x7 Collars
DFLKV34FIT250	¾" Dual Flex Line Kit + FIT250

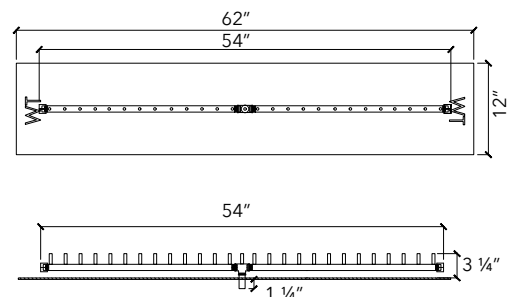
Ignition Systems: Push Button, 24 Volt Spark Ignition, 24 Volt Hot Surface Ignition (SC)



CFBL270

CFBL270NG CFBL270LP	270K BTU Linear Brass Burner
ALPL6212	62" x 12" Plate
COLLAR	Requires x8 Collars
DFLKV34FIT250	¾" Dual Flex Line Kit + FIT250

Ignition Systems: Push Button, 24 Volt Spark Ignition, 24 Volt Hot Surface Ignition (SC)

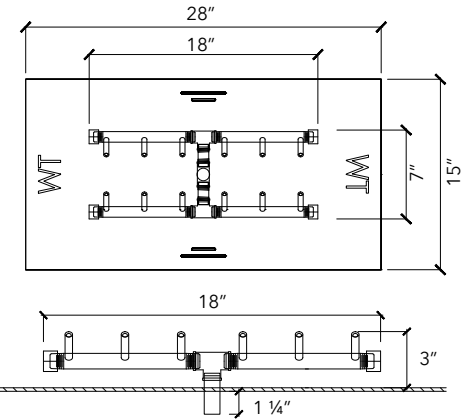




CFBH120

CFBH120NG CFBH120LP	120K BTU H-Style Brass Burner
ALPL2815	28" x 15" Plate
COLLAR	Requires x4 Collars
FLKV12	½" Flex Line Kit

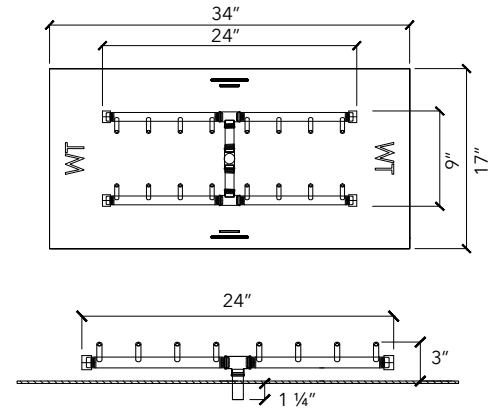
Ignition Systems: Push Button, 3 Volt, 24 Volt Spark Ignition, 24 Volt Hot Surface Ignition (SC)



CFBH160

CFBH160NG CFBH160LP	160K BTU H-Style Brass Burner
ALPL3417	34" x 17" Plate
COLLAR	Requires x5 Collars
FLKV34FIT180	¾" Flex Line Kit + FIT180

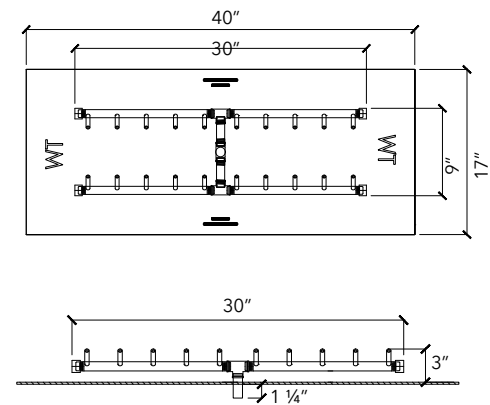
Ignition Systems: Push Button, 24 Volt Spark Ignition, 24 Volt Hot Surface Ignition (SC)



CFBH200

CFBH200NG CFBH200LP	200K BTU H-Style Brass Burner
ALPL4017	40" x 17" Plate
COLLAR	Requires x6 Collars
FLKV34FIT180	¾" Flex Line Kit + FIT180

Ignition Systems: Push Button, 24 Volt Spark Ignition, 24 Volt Hot Surface Ignition (SC)

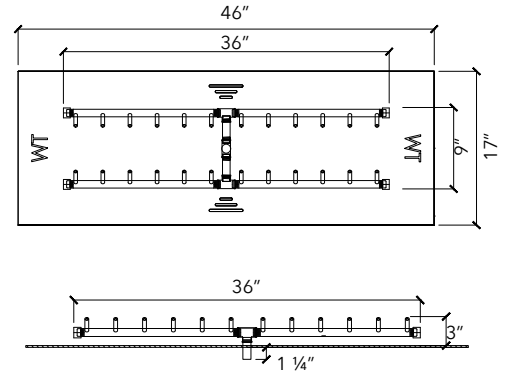




CFBH240

CFBH240NG CFBH240LP	240K BTU H-Style Brass Burner
ALPL4617	46" x 17" Plate
COLLAR	Requires x7 Collars
FLKV34FIT180	¾" Flex Line Kit + FIT180

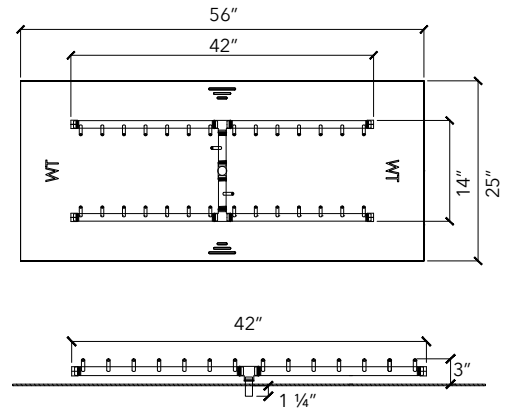
Ignition Systems: Push Button, 24 Volt Spark Ignition, 24 Volt Hot Surface Ignition (SC)



CFBH300

CFBH300NG CFBH300LP	300K BTU H-Style Brass Burner
ALPL5625	56" x 25" Plate
COLLAR	Requires x9 Collars
DFLKV34FIT300	¾" Dual Flex Line Kit + FIT300

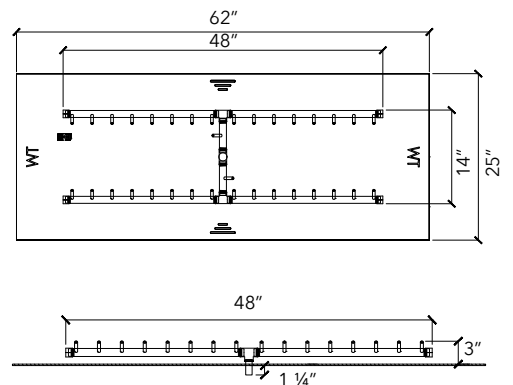
Ignition Systems: 24 Volt Spark Ignition, 24 Volt Hot Surface Ignition (HC)



CFBH340

CFBH340NG CFBH340LP	340K BTU H-Style Brass Burner
ALPL6225	62" x 25" Plate
COLLAR	Requires x9 Collars
DFLKV34FIT300	¾" Dual Flex Line Kit + FIT300

Ignition Systems: 24 Volt Spark Ignition, 24 Volt Hot Surface Ignition (HC)

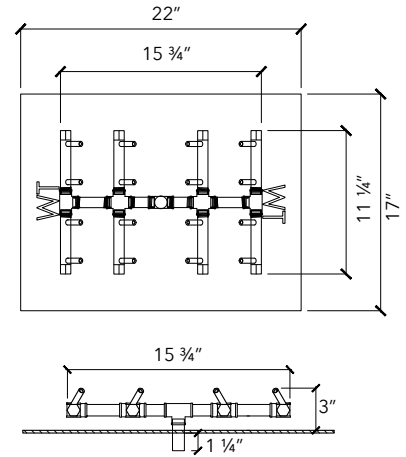




CFBDT160

CFBDT160NG CFBDT160LP	160K BTU Double Tree-Style Brass Burner
ALPL2217	22" x 17" Plate
COLLAR	Requires x4 Collars
FLKV34FIT180	3/4" Flex Line Kit + FIT180

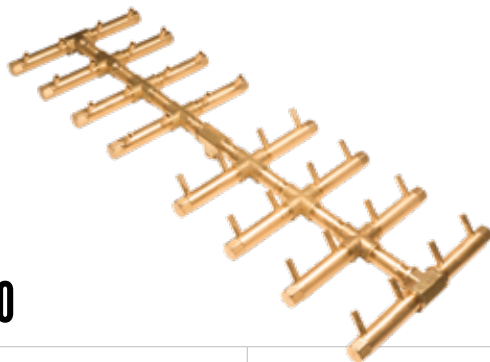
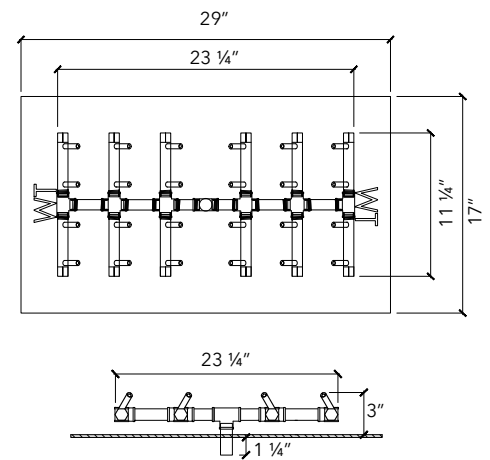
Ignition Systems: Push Button, 24 Volt Spark Ignition, 24 Volt Hot Surface Ignition (SC)



CFBDT240

CFBDT240NG CFBDT240LP	240K BTU Double Tree-Style Brass Burner
ALPL2917	29" x 17" Plate
COLLAR	Requires x5 Collars
FLKV34FIT180	3/4" Flex Line Kit + FIT180

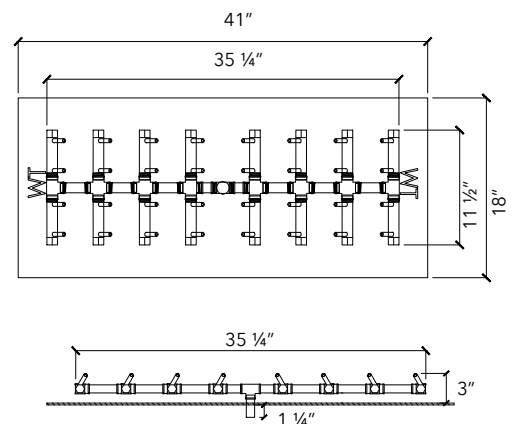
Ignition Systems: Push Button, 24 Volt Spark Ignition, 24 Volt Hot Surface Ignition (SC)



CFBDT320

CFBDT320NG CFBDT320LP	320K BTU Double Tree-Style Brass Burner
ALPL4118	41" x 18" Plate
COLLAR	Requires x6 Collars
DFLKV34FIT300	3/4" Dual Flex Line Kit + FIT300

Ignition Systems: 24 Volt Spark Ignition, 24 Volt Hot Surface Ignition (HC)

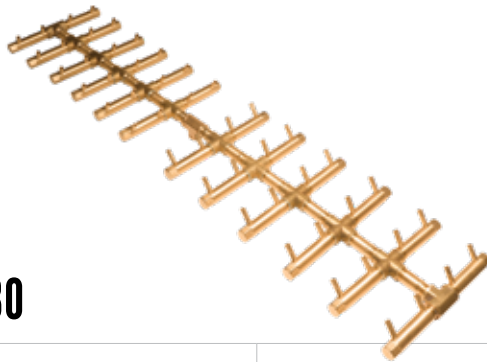
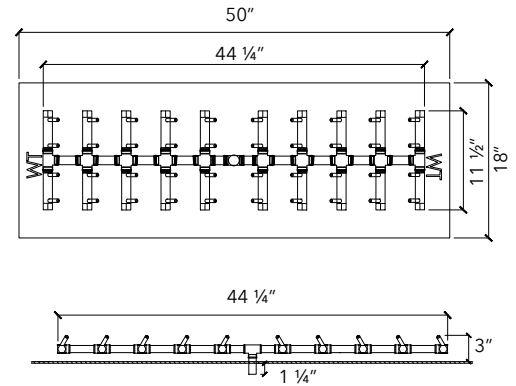




CFBDT400

CFBDT400NG CFBDT400LP	400K BTU Double Tree-Style Brass Burner
ALPL5018	50" x 18" Plate
COLLAR	Requires x7 Collars
DFLKV34FIT300	3/4" Dual Flex Line Kit + FIT300

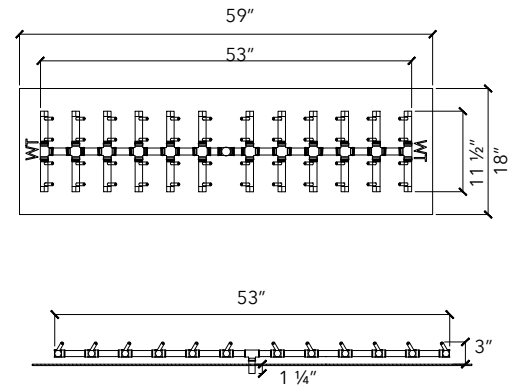
Ignition Systems: 24 Volt Spark Ignition, 24 Volt Hot Surface Ignition (HC)



CFBDT480

CFBDT480NG CFBDT480LP	480K BTU Double Tree-Style Brass Burner
ALPL5918	59" x 18" Plate
COLLAR	Requires x8 Collars
DFLKV34FIT300	3/4" Dual Flex Line Kit + FIT300

Ignition Systems: 24 Volt Hot Surface Ignition (HC)

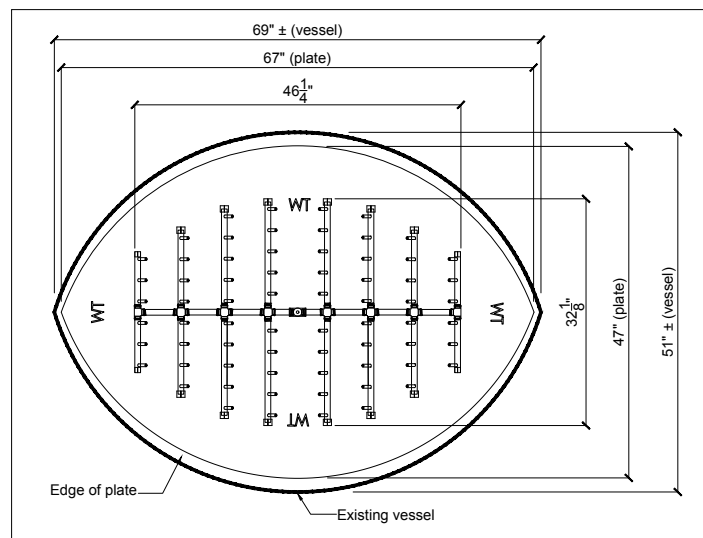


CUSTOM DESIGNED BURNER SYSTEMS

Working one-on-one with clients across the country, we design, fabricate and build each piece to fit the unique requirements and style of every custom project. Give us the space, we'll fill it with fire.

Every CROSSFIRE Brass Burner is made in Colorado, is expertly designed, 100% tested, and backed by a lifetime warranty.

Whatever your vision, we can bring it to life.



PLATES AND PANS

Cut from aluminum using state-of-the-art water jet technology, Warming Trends plates and pans provide drainage vents and additional protection for electronic ignition systems.

PLATES

Circular

Square

ALPL18C	18" Circular	ALPL18S	18" Square
ALPL24C	24" Circular	ALPL24S	24" Square
ALPL30C	30" Circular	ALPL30S	30" Square
ALPL36C	36" Circular	ALPL36S	36" Square
ALPL42C	42" Circular	ALPL42S	42" Square
ALPL48C	48" Circular	ALPL48S	48" Square
ALPL60C	60" Circular	ALPL60S	60" Square
ALPL12-17C	12" - 17" Circular	ALPL12-17S	12" - 17" Square
ALPL19-23C	19" - 23" Circular	ALPL19-23S	19" - 23" Square
ALPL25-29C	25" - 29" Circular	ALPL25-29S	25" - 29" Square
ALPL31-35C	31" - 35" Circular	ALPL31-35S	31" - 35" Square
ALPL37-41C	37" - 41" Circular	ALPL37-41S	37" - 41" Square
ALPL43-47C	43" - 47" Circular	ALPL43-47S	43" - 47" Square
ALPL49-59C	49" - 49" Circular	ALPL49-59S	49" - 59" Square

PANS (Pans include 2" welded sidewall)

Circular

Square

ALPAN18C	18" Circular	ALPAN18S	18" Square
ALPAN24C	24" Circular	ALPAN24S	24" Square
ALPAN30C	30" Circular	ALPAN30S	30" Square
ALPAN36C	36" Circular	ALPAN36S	36" Square
ALPAN42C	42" Circular	ALPAN42S	42" Square
ALPAN48C	48" Circular	ALPAN48S	48" Square
ALPAN60C	60" Circular	ALPAN60S	60" Square
ALPAN12-17C	12" - 17" Circular	ALPAN12-17S	12" - 17" Square
ALPAN19-23C	19" - 23" Circular	ALPAN19-23S	19" - 23" Square
ALPAN25-29C	25" - 29" Circular	ALPAN25-29S	25" - 29" Square
ALPAN31-35C	31" - 35" Circular	ALPAN31-35S	31" - 35" Square
ALPAN37-41C	37" - 41" Circular	ALPAN37-41S	37" - 41" Square
ALPAN43-47C	43" - 47" Circular	ALPAN43-47S	43" - 47" Square
ALPAN49-59C	49" - 49" Circular	ALPAN49-59S	49" - 59" Square

READY-TO-FINISH KITS

Aluminum frames covered with concrete board, ready to be easily and quickly completed with your choice of media or veneer.



FC42 shown

Circular Ready-To-Finish Kits

FC42NG
FC42LP

CFB120 Original Brass Burner • 42" W x 18" H Aluminum Frame with Concrete Board Attached • 24" Aluminum Pan with 2" Sidewalls • Fire Pit Vent Kit • ½" Flex Line Kit • Key Valve Extension
Ignition systems available: Push Button, 3 Volt, 24 Volt Spark Ignition, 24 Volt Hot Surface Ignition (SC)

FC54NG
FC54LP

CFB180 Original Brass Burner • 54" W x 18" H Aluminum Frame with Concrete Board Attached • 30" Aluminum Pan with 2" Sidewalls • Fire Pit Vent Kit • ¾" Flex Line Kit • FIT180 • Key Valve Extension
Ignition systems available: Push Button, 24 Volt Spark Ignition, 24 Volt Hot Surface Ignition (SC)

FC60NG
FC60LP

CFB290 Original Brass Burner • 60" W x 18" H Aluminum Frame with Concrete Board Attached • 36" Aluminum Pan with 2" Sidewalls • Fire Pit Vent Kit • ¾" Dual Flex Line Kit • FIT250 • Key Valve Extension
Ignition systems available: Push Button, 24 Volt Spark Ignition, 24 Volt Hot Surface Ignition (SC)

FC72NG
FC72LP

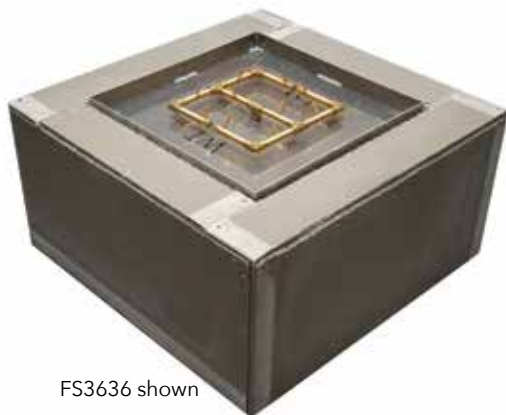
CFB350 Original Brass Burner • 72" W x 18" H Aluminum Frame with Concrete Board Attached • 48" Aluminum Pan with 2" Sidewalls • Fire Pit Vent Kit • ¾" Dual Flex Line Kit • FIT300 • Key Valve Extension
Ignition systems available: 24 Volt Spark Ignition, 24 Volt Hot Surface Ignition (HC)



Ready-to-Finish Kits come with a Fire Pit Vent Kit (FPVK) but they do not come pre-installed as placement and installation depends on veneer. Vents to be installed by contractor on site.

Warming Trends recommends 18 sq. inches of ventilation on opposing sides of the fire pit.

Square Ready-To-Finish Kits



FS3636 shown

FS3636NG
FS3636LP

CFB120 Original Brass Burner • 36" x 36" W x 18" H Aluminum Frame with Concrete Board Attached • 24" Aluminum Pan with 2" Sidewalls • Fire Pit Vent Kit • ½" Flex Line Kit • Key Valve Extension
Ignition systems available: Push Button, 3 Volt, 24 Volt Spark Ignition, 24 Volt Hot Surface Ignition (SC)

FS4848NG
FS4848LP

CFB180 Original Brass Burner • 48" x 48" W x 18" H Aluminum Frame with Concrete Board Attached • 30" Aluminum Pan with 2" Sidewalls • Fire Pit Vent Kit • ¾" Flex Line Kit • FIT180 • Key Valve Extension
Ignition systems available: Push Button, 24 Volt Spark Ignition, 24 Volt Hot Surface Ignition (SC)

FS5454NG
FS5454LP

CFB290 Original Brass Burner • 54" x 54" W x 18" H Aluminum Frame with Concrete Board Attached • 36" Aluminum Pan with 2" Sidewalls • Fire Pit Vent Kit • ¾" Dual Flex Line Kit • FIT250 • Key Valve Extension
Ignition systems available: Push Button, 24 Volt Spark Ignition, 24 Volt Hot Surface Ignition (SC)

FS6060NG
FS6060LP

CFB300 Original Brass Burner • 60" x 60" W x 18" H Aluminum Frame with Concrete Board Attached • 42" Aluminum Pan with 2" Sidewalls • Fire Pit Vent Kit • ¾" Dual Flex Line Kit • FIT300 • Key Valve Extension
Ignition systems available: 24 Volt Spark Ignition, 24 Volt Hot Surface Ignition (HC)

Rectangular Linear Ready-To-Finish Kits



FR6036 shown

FR4830NG
FR4830LP

CFBL110 22" Linear Brass Burner • 48" L x 30" W x 18" H Aluminum Frame with Concrete Board Attached • 28" x 10" Aluminum Pan with 2" Sidewalls • Fire Pit Vent Kit • ½" Flex Line Kit • Key Valve Extension
Ignition systems available: Push Button, 3 Volt, 24 Volt Spark Ignition, 24 Volt Hot Surface Ignition (SC)

FR6036NG
FR6036LP

CFBL150 30" Linear Brass Burner • 60" L x 36" W x 18" H Aluminum Frame with Concrete Board Attached • 38" x 14" Aluminum Pan with 2" Sidewalls • Fire Pit Vent Kit • ¾" Flex Line Kit • FIT180 • Key Valve Extension
Ignition systems available: Push Button, 24 Volt Spark Ignition, 24 Volt Hot Surface Ignition (SC)

FR7242NG
FR7242LP

CFBL210 40" Linear Brass Burner • 72" L x 42" W x 18" H Aluminum Frame with Concrete Board Attached • 48" x 18" Aluminum Pan with 2" Sidewalls • Fire Pit Vent Kit • ¾" Flex Line Kit • FIT180 • Key Valve Extension
Ignition systems available: Push Button, 24 Volt Spark Ignition, 24 Volt Hot Surface Ignition (SC)



Ready-to-Finish Kits come with a Fire Pit Vent Kit (FPVK) but they do not come pre-installed as placement and installation depends on veneer. Vents to be installed by contractor on site.

Warming Trends recommends 18 sq. inches of ventilation on opposing sides of the fire pit.

Rectangular Tree-Style Ready-To-Finish Kits



FRT6036 shown

FRT4830NG
FRT4830LP

CFBT170 Tree-Style Brass Burner • 48" L x 30" W x 18" H Aluminum Frame with Concrete Board Attached • 28" x 10" Aluminum Pan with 2" Sidewalls • Fire Pit Vent Kit • ¾" Flex Line Kit • FIT180 • Key Valve Extension
Ignition systems available: Push Button, 24 Volt Spark Ignition, 24 Volt Hot Surface Ignition (SC)

FRT6036NG
FRT6036LP

CFBT230 Tree-Style Brass Burner • 60" L x 36" W x 18" H Aluminum Frame with Concrete Board Attached • 38" x 14" Aluminum Pan with 2" Sidewalls • Fire Pit Vent Kit • ¾" Flex Line Kit • FIT180 • Key Valve Extension
Ignition systems available: Push Button, 24 Volt Spark Ignition, 24 Volt Hot Surface Ignition (SC)

FRT7242NG
FRT7242LP

CFBT290 Tree-Style Brass Burner • 72" L x 42" W x 18" H Aluminum Frame with Concrete Board Attached • 48" x 18" Aluminum Pan with 2" Sidewalls • Fire Pit Vent Kit • Dual ¾" Flex Line Kit • FIT250 • Key Valve Extension
Ignition systems available: Push Button, 24 Volt Spark Ignition, 24 Volt Hot Surface Ignition (SC)



FO54 shown

Octagonal Ready-To-Finish Kits

FO42NG
FO42LP

CFB120 Original Brass Burner • 42" W x 18" H Aluminum Frame with Concrete Board Attached • 24" Aluminum Pan with 2" Sidewalls • Fire Pit Vent Kit • ½" Flex Line Kit • Key Valve Extension
Ignition systems available: Push Button, 3 Volt, 24 Volt Spark Ignition, 24 Volt Hot Surface Ignition

FO54NG
FO54LP

CFB180 Original Brass Burner • 54" W x 18" H Aluminum Frame with Concrete Board Attached • 30" Aluminum Pan with 2" Sidewalls • Fire Pit Vent Kit • ¾" Flex Line Kit • FIT180 • Key Valve Extension
Ignition systems available: Push Button, 24 Volt Spark Ignition, 24 Volt Hot Surface Ignition

FO60NG
FO60LP

CFB290 Original Brass Burner • 60" W x 18" H Aluminum Frame with Concrete Board Attached • 36" Aluminum Pan with 2" Sidewalls • Fire Pit Vent Kit • ¾" Dual Flex Line Kit • FIT250 • Key Valve Extension
Ignition systems available: Push Button, 24 Volt Spark Ignition, 24 Volt Hot Surface Ignition

HAVE A **CUSTOM** PROJECT?



Custom bar height table design shown.

Warming Trends specializes in creative solutions for **custom designs**.

Working one-on-one with clients across the country, we design, fabricate and build each piece to fit the unique requirements and style of every custom project - *and we love the challenge*. You give us the space, we'll fill it with fire.

Every CROSSFIRE Brass Burner that leaves our Colorado headquarters is expertly designed, well-crafted, and backed by a lifetime warranty.

Whatever your vision, we can bring it to life.

Call us today to discuss your custom project.
877 556 5255

UNIVERSAL PAVER KITS

Convert your paver fire pit to gas with a Warming Trends® Universal Paver Kit.

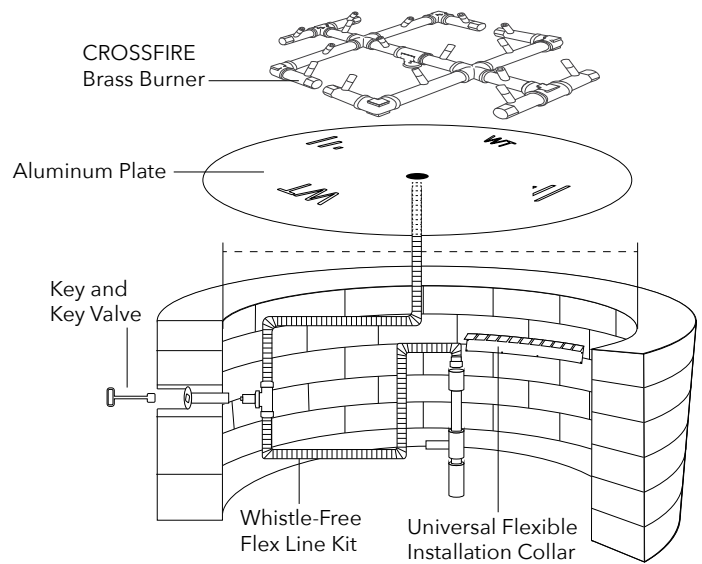
Warming Trends® Universal Paver Kits include everything needed to complete your paver fire pit.

Included in each kit:

- CROSSFIRE® Brass Burner
- Aluminum Plate
- Flex Line Kit
- Key Valve, Key, and Key Extension
- Universal Flexible Installation Collars

Confirm the interior dimensions of your fire pit to select the matching Warming Trends Universal Paver Kit.

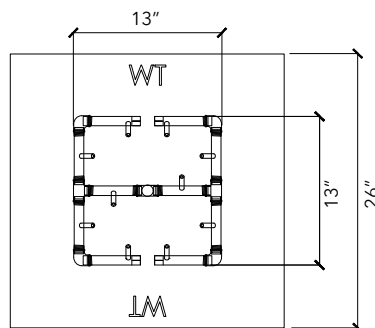
Questions? Want to customize your kit?
Give us a call at 877 556 5255



26" - 28" Square Opening

UPK120S2628NG
UPK120S2628LP

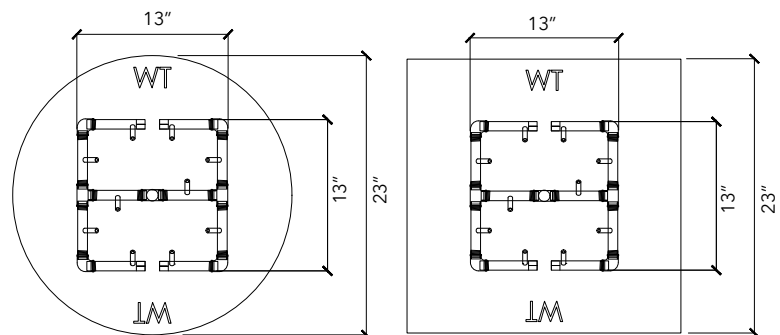
Universal Paver Kit for Square openings 26"-28": 120K BTU 13" x 13" Original Brass Burner + 26" Square Aluminum Plate + FLKV12 + KVE + (4) COLLARS



23" - 25" Circular Opening

UPK120C2325NG
UPK120C2325LP

Universal Paver Kit for Circular openings 23"-25": 120K BTU 13" x 13" Original Brass Burner + 23" Circle Aluminum Plate + FLKV12 + KVE + (4) COLLARS



23" - 25" Square Opening

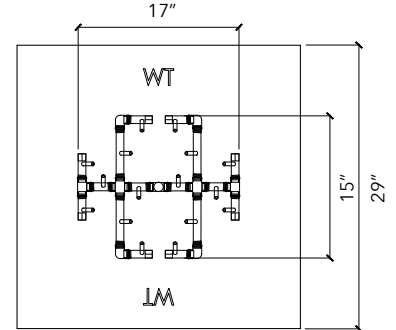
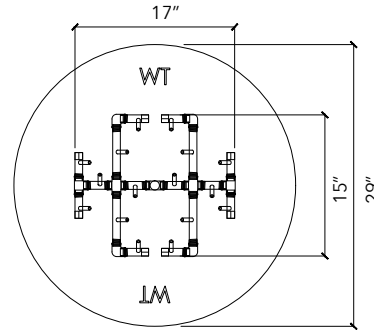
UPK120S2325NG
UPK120S2325LP

Universal Paver Kit for Square openings 23"-25": 120K BTU 13" x 13" Original Brass Burner + 23" Square Aluminum Plate + FLKV12 + KVE + (4) COLLARS

29" – 31" Circular Opening

UPK180C2931NG
UPK180C2931LP

Universal Paver Kit for Circular openings 29"-31": 180K BTU
17" x 15" Original Brass Burner
+ 29" Circle Aluminum Plate
+ FLKV34FIT180 + KVE + (5)
COLLARS



29" – 31" Square Opening

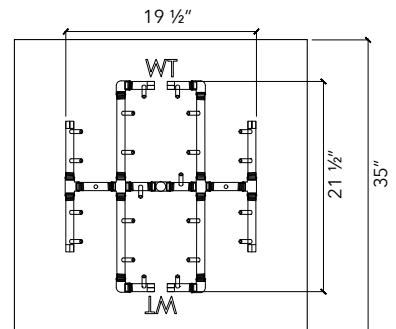
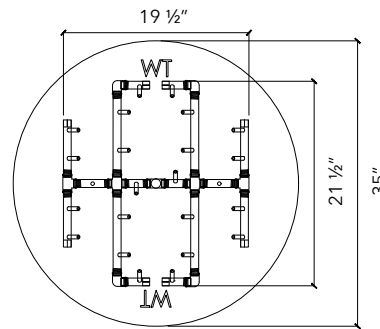
UPK180S2931NG
UPK180S2931LP

Universal Paver Kit for Square openings 29"-31": 180K BTU
17" x 15" Original Brass Burner
+ 29" Square Aluminum Plate
+ FLKV34FIT180 + KVE + (5)
COLLARS

35" – 37" Circular Opening

UPK240C3537NG
UPK240C3537LP

Universal Paver Kit for Circular openings 35" - 37": 240K BTU
19.5" x 21.5" Original Brass Burner
+ 35" Circle Aluminum Plate
+ FLKV34FIT180 + KVE + (6)
COLLARS



35" – 37" Square Opening

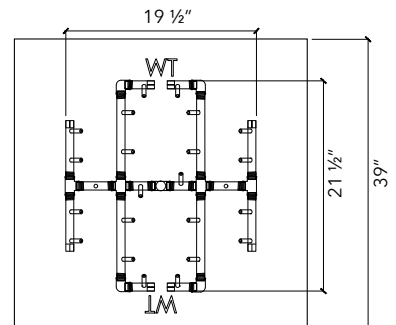
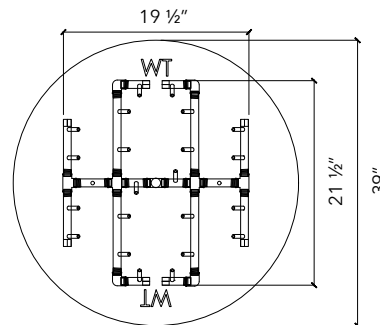
UPK240S3537NG
UPK240S3537LP

Universal Paver Kit for Square openings 35" - 37": 240K BTU
19.5" x 21.5" Original Brass Burner
+ 35" Circle Aluminum Plate
+ FLKV34FIT180 + KVE + (6)
COLLARS

39" – 41" Circular Opening

UPK240C3941NG
UPK240C3941LP

Universal Paver Kit for Circular openings 39" - 41": 240K BTU
19.5" x 21.5" Original Brass Burner
+ 39" Circle Aluminum Plate
+ FLKV34FIT180 + KVE + (7)
COLLARS



39" – 41" Square Opening

UPK240S3941NG
UPK240S3941LP

Universal Paver Kit for Square openings 39" - 41": 240K BTU
19.5" x 21.5" Original Brass Burner
+ 39" Square Aluminum Plate
+ FLKV34FIT180 + KVE + (7)
COLLARS

IGNITION SYSTEMS

Light your fire feature with simplicity of a match, the push of a button or the flip of a switch.



MATCH LIT

All CROSSFIRE™ Brass Burners come standard as a manual Match Lit System. Light a match and turn the key valve to ignite your fire feature burner.



PUSH BUTTON IGNITION

Upgrade to an electric Push Button Ignition. Turn the key valve to on position and push the button to ignite your burner.



PBIK3.0	Push Button Ignition Kit: Spark Igniter Rod and Wire + Push Button Battery Operated Control Module
PBIK3.0MBR	Push Button Ignition Kit + Mounting Bracket
PBIK3.0MBRKV12	Push Button Ignition Kit + Mounting Bracket + 1/2" Key Valve + (2) Pre-mounted 1/2" Street Elbows
PBIK3.0MBRKV34	Push Button Ignition Kit + Mounting Bracket + 3/4" Key Valve + (2) Pre-mounted 3/4" Street Elbows
PBIK3.0MBRFLKV12	Push Button Ignition Kit + Mounting Bracket + 1/2" Dual Flex Line Kit + (2) Pre-mounted 1/4" Street Elbows
PBIK3.0MBRFLKV34FIT180	Push Button Ignition Kit + Mounting Bracket + 3/4" Flex Line Kit + FIT180 + (2) Pre-mounted 3/4" Street Elbows
PBIK3.0MBRDFLKV34FIT250	Push Button Ignition Kit + Mounting Bracket + 3/4" Dual Flex Line Kit + FIT250 + (2) Pre-mounted 3/4" Street Elbows
PBIK3.0MBRDFLKV34FIT300	Push Button Ignition Kit + Mounting Bracket + 3/4" Dual Flex Line Kit + FIT300 + (2) Pre-mounted 3/4" Street Elbows



3 VOLT IGNITION

A battery-operated ignition system with on and off switch. 3 Volt Ignition supplies up to 120K BTUs. Remote control available.



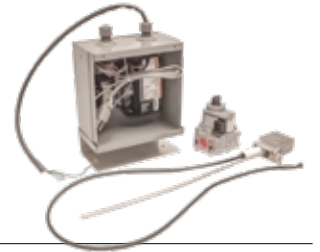
3VIK-NG
3VIK-LP

3 Volt Electronic Ignition System: Spark Igniter + Control Module + D-Cell Battery Pack + 3 Volt Gas Valve + up to 120K BTU + Ignition Switch



24 VOLT SPARK IGNITION

24 Volt Spark Ignition supplies up to 400K BTUs. Includes step down transformer for use with 24 Volt/110 Volt supply. Remote control options available.



24VIKHC-NG
24VIKHC-LP

24 Volt Spark Ignition System: Spark Igniter + Control Module + 24 Volt Transformer + up to 400K BTU



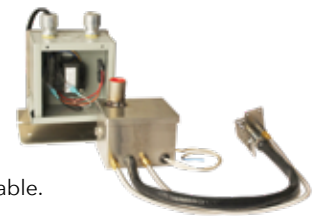
24 VOLT HOT SURFACE IGNITION

24 Volt Hot Surface Ignition Standard Capacity supplies up to 290K BTUs.

24 Volt Hot Surface Ignition High Capacity supplies up to 512K BTUs.

Best option in high wind conditions. Includes state of the art weatherproofing technology.

Includes step down transformer for use with 24 Volt/110 Volt supply. Remote control options available.



P24VIKSCCG-NG
P24VIKSCCG-LP

24 Volt Hot Surface Ignition System - Standard Capacity: Hot Surface Igniter + 50VA/24VAC Transformer + Maximum Gas Output 290K BTU/hr

P24VIKHCCG-NG
P24VIKHCCG-LP

24 Volt Hot Surface Ignition System - High Capacity: Hot Surface Igniter + 50VA/24VAC Transformer + Maximum Gas Output 512K BTU/hr

Low voltage Premium Ignition available. Call a Warming Trends™ Flame Consultant to discuss the best ignition system for your CROSSFIRE™ Brass Burner.

ELECTRONIC ADD-ONS

Want to turn your fire feature on from your phone? We've got you covered. Electronic add-ons that keep your fire feature safe and easy to use.



3 VOLT REMOTE

(3VRC) On/Off Remote Control for 3 Volt Ignition System



24 VOLT KEY CHAIN REMOTE

(KCRC) On/Off Wireless Key Chain Remote Control & Plug In Receiver for 24 Volt Ignition System



24 VOLT BLUETOOTH REMOTE

(BTRC) On/Off Bluetooth Remote Control & Plug In Receiver for 24 Volt Ignition System. Connects to your smart phone.



DIAL TIMERS

Available in 2 hour and 12 hour options for automatic shut off, with or without NEMA Rated outdoor enclosure.

(DT2HR) 2 Hour Dial Timer

(DT2HRNB) 2 Hour Dial Timer with NEMA Rated Enclosure

(DT12HR) 12 Hour Dial Timer

(DT12HRNB) 12 Hour Dial Timer with NEMA Rated Enclosure



EMERGENCY STOP

(EMERSTOP) Push Button Emergency Stop with yellow shell and weather proof lift cover. Perfect for commercial properties.

Typically commercial projects require an Emergency Stop and electronic ignition. Consult your local code.

IGNITION PARTS

PBIK3.0	Push Button Ignition Kit: Spark Igniter Rod and Wire + Push Button Battery Operated Control Module
PB-SI	Spark Igniter Rod and Wire
PB-CM	Push Button Battery Operated Control Module
MBR	Mounting Bracket
3VCM	3 Volt Control Module
3VPA-NG 3VPA-LP	3 Volt Pilot Assembly (Pilot Tube + Igniter + Spark Wire + Igniter Bracket + Wind Cage)
3VGV-NG 3VGV-LP	3 Volt 120K BTU Capacity Gas Valve
3VBP	3 Volt Battery Pack
3VSTEP	3 Volt Step Down Transformer
MBR	Mounting Bracket for toggle switch
24VGVHC-NG 24VGVHC-LP	24 Volt Spark Ignition 400K BTU Capacity Gas Valve
24VCM	24 Volt Spark Ignition Control Module for use with 24 Volt Spark Ignition System
24VPA-NG 24VPA-LP	24 Volt Spark Ignition Pilot Assembly (Pilot Tube + Igniter + Spark Wire + Igniter Bracket + Wind Cage) for use with 24 Volt Spark Ignition System
24VT	For use with all 24 Volt Ignition Systems (Spark Ignition or Hot Surface Ignition)
P24VCBSC	24 Volt 290K BTU Standard Capacity Hot Surface Ignition Control Box with Single Pilot Connections
P24VCBHC	24 Volt 512K BTU High Capacity Hot Surface Ignition Control Box with Single Pilot Connections
24VT	24 Volt Transformer for use with all 24 Volt Ignition Systems (Spark & Hot Surface Ignitions)
P24VIKWC	Wind Cage
P24VIKCGPA-NG P24VIKCGPA-LP	24 Volt Hot Surface Ignition Pilot Assembly (Dual Pilot Tubes + Igniter + Igniter Bracket + Wind Cage) for use with Hot Surface Ignition Systems (Standard & High Capacity)
P24VCBSCCG	24 Volt Hot Surface Ignition 290K BTU Standard Capacity Control Box with Dual Pilot Connections
P24VCBHCCG	Premium 24 Volt 512K BTU High Capacity Control Box with Dual Pilot Connections

PARTS

FLKV12	For use with any burner up to 120K BTUs. Kit includes: (1) 36" L x 1/2" Diameter Flex Line + 1/2" Key Valve + 3" and 12" Key
FLKV34	For use with any 121K - 249K BTU burner. Kit includes: (1) 36" L x 3/4" Diameter Flex Line + 3/4" Key Valve + 3" and 12" Key
FLKV34FIT180	For use with any 121K - 249K BTU burner. Kit includes: (1) 36" L x 3/4" Diameter Flex Line + 3/4" Key Valve + 3" and 12" Key + 1/2" x 2" Nipple to connect threaded inside 3/4" Flex Line Flare Connector to 1/2" Plate Coupling
DLFKV34	For use with any burner over 249K BTUs. Kit includes: (2) 36" L x 3/4" Diameter Flex Lines + 3/4" Key Valve + 3" and 12" Key
DLFKV34FIT250	For use with any burner over 249K BTUs. Kit includes (2) 36" L x 3/4" Diameter Flex Lines + 3/4" Key Valve + 3" and 12" Key + (1) 3/4" x 1/2" MM Reducer Fitting and (1) 3/4" Tee for connection at 1/2" Plate Coupling + (1) 3/4" x 3" Nipple and (1) 3/4" Tee for Key Valve connection
DLFKV34FIT300	For use with any 300K+ BTU burner. Kit includes: (2) 36" L x 3/4" Diameter Flex Lines + 3/4" Key Valve + 3" and 12" Key + (1) 3/4" x 3" Nipple and (1) 3/4" Tee for connection at 3/4" Plate Coupling + (1) 3/4" Tee for Key Valve connection
FIT180	Flex Line and Key Valve Connection Fitting for use with any burner under 249K BTUs. Kit includes: (1) 1/2" x 2" Nipple. Connects 1/2" Plate Coupling to inside threaded 3/4" Flex Line Flare Connector
FIT250	Flex Line and Key Valve Connection Fittings for use with any burner over 249K BTUs. Kit includes: (1) 3/4" x 1/2" MM Reducer Fitting and (1) 3/4" Tee for connection at 1/2" Plate Coupling + (1) 3/4" x 3" Nipple and (1) 3/4" Tee for Key Valve connection. Connects 1/2" Plate Coupling to (2) 3/4" Flex Lines + connection of (2) 3/4" Flex lines to 3/4" Key Valve
FIT300	Flex Line and Key Valve Connection Fittings for 300K+ BTU burner. Kit includes: (1) 3/4" x 3" Nipple and (1) 3/4" Tee for connection at 3/4" Plate Coupling + (1) 3/4" x 3" Nipple and (1) 3/4" Tee for Key Valve connection. Connects 3/4" Plate Coupling to (2) 3/4" Flex Lines + (2) 3/4" Flex Lines to 3/4" Key Valve
FL3612	36" L x 1/2" Diameter Flex Line (MM)
FLK3634	36" L x 3/4" Diameter Flex Line (MM)
KV12	1/2" Key Valve + 3" Key
KV34	3/4" Key Valve + 3" Key
KEY12	12" Key
KEY24	24" Key
KVE	6-12" Key Valve Extension
DRIPLEG12	1/2" Drip Leg Kit
DRIPLEG34	3/4" Drip Leg Kit
LPRH	LP Regulator mounted on 3/8" 10' Hose with handwheel quick connect. For use up to 70K BTUs. For use with a 20lb propane tank
LPHOSE10	LP 3/8" 10' Hose. For use with a 20lb propane tank
REGNG125	Regulator: 1/2" FNPT Inlet x 1/2" FNPT Outlet + For use up to 125K BTU's - Natural Gas
REGLP140	Regulator: 1/4" FNPT Inlet x 3/8" FNPT Outlet + For use up to 70K BTU's - Liquid Propane
ACCESS	16" x 16" exterior frame and 14" x 14" door opening for easy access to interior of fire feature
FPVK	Fire Pit Vent Kit: (2) 12" x 4" Vents + 18 square inches of vent area per vent
COLLAR	Paver Kit Adjustable Install Collar 19"
CFB60LP-DB	60K BTU CROSSFIRE™ Brass Burner on a 12" plate with ball valve for easy connection to 1lb propane cylinder

ACCESSORIES

Select the right accents to complement your feature's surroundings.
Complete with a secure cover made to fit.

Lava Rock and Stone



Black Lava Rock
(BLR)



Red Lava Rock
(RLR)



Rolled Lava
(LRR)

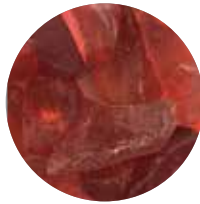
Fire Glass Additional options available upon request



Dark Amber
(CS Amber 9)



Light Amber
(CS Amber 4)



Burnt Orange
(Burnt Orange)



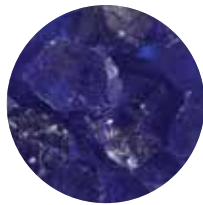
Red
(CA Red)



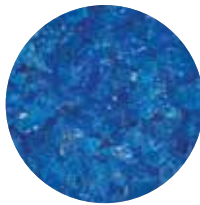
Purple
(MN Purple 4)



Plum
(Plum 7)



Dark Blue
(CO Blue 5)



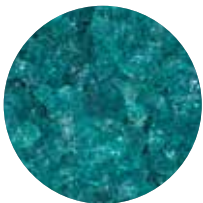
Light Blue
(CO Blue 3)



Dark Green
(CR Green 6)



Light Green
(CR Green 4)



Aqua
(Aqua 2)



Gray
(Gray 5)



Black
(Black)



Clear
(Clear)



Additional Options
Available Upon Request



Steel Log Sets

Available for 18", 24", 30", and 36" Fire Pits.

SLS18	Handcrafted to fit 18" Fire Pit
SLS24	Handcrafted to fit 24" Fire Pit
SLS30	Handcrafted to fit 30" Fire Pit
SLS36	Handcrafted to fit 36" Fire Pit
SLSCUST	Custom Handcrafted Steel Log Set



Ceramic Oak Log Sets

Additional sizes available upon request.

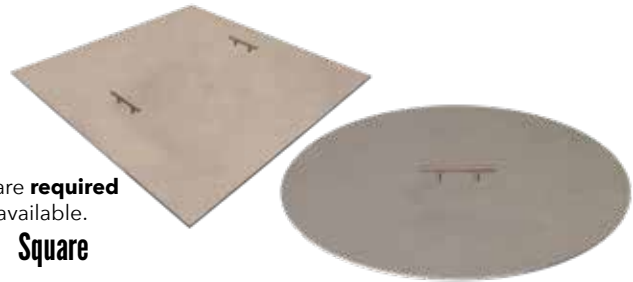
OSS	Oak Log Set for 24" - 30" Fire Pit (8 Pieces)
OSM	Oak Log Set for 36" - 42" Fire Pit (12 Pieces)
OSL	Oak Log Set for 48" Fire Pit (15 Pieces)



FireStorm™ Steel Log

Handcrafted, one-of-a-kind steel gas log with integrated burner.

FSL32	32" Steel log with integrated CFBL150 CROSSFIRE Brass Burner on a 38" x 10" aluminum plate.
-------	---



Covers

Aluminum covers are available in standard fire pit sizes and are **required as part of the Warming Trends warranty**. Custom designs available.

Circular

FPC20C	20" Circular + 1 handle. For 18" opening.
FPC26C	26" Circular + 1 handle. For 24" opening.
FPC32C	32" Circular + 1 handle. For 30" opening.
FPC38C	38" Circular + 2 handles. For 36" opening.
FPC44C	44" Circular + 2 handles. For 42" opening.
FPC50C	50" Circular + 2 handles. For 48" opening.
FPC62C	44" Circular + 2 handles. For 60" opening.

Square

FPC20S	20" Square + 1 handle. For 18" opening.
FPC26S	26" Square + 1 handle. For 24" opening.
FPC32S	32" Square + 1 handle. For 30" opening.
FPC38S	38" Square + 2 handles. For 36" opening.
FPC44S	44" Square + 2 handles. For 42" opening.
FPC50S	50" Square + 2 handles. For 48" opening.
FPC62S	44" Square + 2 handles. For 60" opening.

ALPLCUST Aluminum plate customized to any shape or size

Warranty

ALL CROSSFIRE BRASS BURNERS HAVE A LIMITED LIFETIME WARRANTY.

ALL WARMING TRENDS STEEL LOG SETS PURCHASED ON OR AFTER JANUARY 1, 2019, HAVE A LIMITED TEN (10) YEAR WARRANTY. ALL WARMING TRENDS FIRESTORM STEEL LOG SYSTEMS HAVE A LIMITED SEVEN (7) YEAR WARRANTY.

ALL BURNERS AND ELECTRONICS (IF PRESENT) MUST BE COVERED WHEN NOT IN USE OR WARRANTY IS NULL AND VOID.

Warming Trends™ warrants its products to be free from defective material and workmanship under normal service and use. This warranty covers manufacturing defects only and does not cover defects due to normal wear and tear; it does not warrant any product or part that has been altered, accidentally damaged, damaged in shipping, disassembled, modified, misused, neglected, failure to maintain, not installed, or not kept in continuous service after installation. **Warming Trends™** liability shall be restricted to the purchase price of the product only and makes no other warranty, express or implied, but not limited to, the implied warranties of salability and appropriateness for a specified purpose, with respect to its products and parts, whether used along or in combination with others. **Warming Trends™** is free of liability for any damages caused by the unit, as well as inconvenience expenses, material or labor charges incurred by any service call, repair, removal or re-installation of any unit. Incidental or consequential damages are not covered by this warranty. Warranty does not cover damage to systems due to debris in the gas lines or damage to system due to water. Owner is responsible for reading and understanding warranty for full terms and conditions.

Warming Trends™, at its discretion, agrees to repair or replace defective product if returned to **Warming Trends™** within the warranty period. The respective warranty time periods are effective from the original date of purchase. The warranty is non-transferable and applies only to the original purchaser. In addition, this warranty is automatically void if the unit's serial number has been removed or altered in any way.

Ignition Systems Warranty

ALL BURNERS AND ELECTRONICS MUST BE COVERED WHEN NOT IN USE OR WARRANTY IS NULL AND VOID

Push Button Ignition Systems: There is no warranty offered on any push button ignition system.

Electronic Ignition Systems:

Residential Installations:

- 24VIK and 3VIK systems are fully warranted for one (1) year with a limited warranty for two (2) years from date of purchase. In the event a system must be replaced due to a defect/malfunction of the system, **Warming Trends™** will repair or replace the system at no cost for the first year. In the event a system fails after the first year from date of purchase and within two years from date of purchase, **Warming Trends™** will repair or replace the system for a cost of 50% of the current list price. This warranty does not cover labor costs.
- P24VIK systems purchased ON OR BEFORE April 15, 2018 are fully warranted for one (1) year with a limited warranty for two (2) years from date of purchase. In the event a system must be replaced due to a defect/malfunction of the system, **Warming Trends™** will repair or replace the system at no cost for the first year. In the event a system fails after the first year and within two years of date of purchase, the cost for a replacement system is at a discount rate of 50% of the current listed price. This warranty does not cover labor costs.
- P24VIK Systems purchased AFTER April 15, 2018 are fully warranted for three (3) years from date of purchase. In the event a system must be replaced due to a defect/malfunction of the system, **Warming Trends™** will repair or replace the system at no cost for the first three years. This warranty does not cover labor costs.

Commercial Installations:

- 24VIK and 3VIK systems are fully warranted for twelve months from date of purchase. In the event a system must be replaced due to a defect/malfunction of the system, **Warming Trends™** will repair or replace the system at no cost. This warranty does not cover labor costs.
- P24VIK Systems are fully warranted for one (1) year from date of purchase. In the event a system must be replaced due to a defect/malfunction of the system, **Warming Trends™** will repair or replace the system at no cost for 12 months from the date of purchase. This warranty does not cover labor costs.

Problems in the functioning of the systems due to gas plumbing or electrical installed by others are not covered by any warranty offered by Warming Trends.

No dealer, distributor, or other person has the authority to represent or warrant a Warming Trends™ product beyond the terms contained within this warranty, and Warming Trends™ assumes no liability for such warranty representations. Any questions concerning this warranty should be directed to the Warming Trends™ corporate office.

Return Policy of Warranty Product

Any Warming Trends™ product deemed by Warming Trends™ as defective and covered by the warranty may be returned to Warming Trends™ for assessment to determine if repair or replacement is necessary. In order to return a product, you must have a Return Merchandise Authorization number (RMA#). Please contact a Warming Trends™ representative at the corporate office to obtain an RMA#. All returned merchandise must have the RMA# clearly printed on the outside of the package. Return shipping costs are the purchaser's responsibility. Warming Trends™ is not responsible for product damaged or lost in transit. It is recommended that return items are shipped via a delivery service that can be tracked and/or insured to confirm receipt.

Minimum Advertised Pricing Policy Effective January 1, 2017

Warming Trends™ Minimum Advertised Pricing Policy (MAP) is designed to protect our brand while also protecting our long-term brand building partners who sell our products.

MAP is the net price advertised for our products after any and all discounts, rebates, gifts, promotions, etc.

The MAP policy applies to all advertisements of **Warming Trends™** products in any and all media, including, but not limited to, flyers, posters, coupons, mailers, inserts, newspapers, magazines, catalogs, mail order catalogs, email newsletters, email solicitations, Internet or similar electronic media, television, radio, and public signage.

Warming Trends™ MAP policy is that Resellers will not advertise any product at prices below the published MSRP. This policy does not include advertising a higher price.

If a Reseller or a Distributor violates this Policy, **Warming Trends™** reserves the right to discontinue sales to that Reseller.

Please note that MAP can be adjusted with or without notice at the discretion of **Warming Trends™**. It is the responsibility of the Reseller to keep informed of current MAP and policies related to MAP.

CROSSFIRE™ Brass Burner Compatibility Chart

Choose a burner to learn the standard plate or pan size and coupling, the appropriately sized flex line kit it will need and ignition possibilities.

Not all burners shown below. Call our headquarters at 877 556 5255 with questions or to discuss the compatibility of other burners.

	Plate/Pan (inches)	Circular Plate	Square Plate	Linear Plate	FLKV12	FLKV34FIT180	DFLKV34FIT250	DFLKV34FIT300	PBIK	3VIK	24VIKHC	P24VIKSCCG	P24VIKHCCG
ORIGINAL													
CFB60	18	X	X		X				X	X	X	X	
CFB84	18	X	X		X				X	X	X	X	
CFB120	24	X	X		X				X	X	X	X	
CFB180	30	X	X			X			X		X	X	
CFB240	30	X	X				X		X		X	X	
CFB290	36	X	X				X		X		X	X	
CFB350	48	X	X					X			X		X
CFB450	60	X	X					X					X
OCTAGONAL													
CFBO140	18	X	X			X			X		X	X	
CFBO180	24	X	X			X			X		X	X	
CFBO280	30	X	X				X		X		X	X	
CFBO360	42	X	X					X			X		X
TREE-STYLES													
CFBT110	11 x 20			X	X				X	X	X	X	
CFBT170	11 x 28			X		X			X		X	X	
CFBT230	11 x 36			X		X			X		X	X	
CFBT290	14 x 44			X			X		X		X	X	
CFBT350	14 x 58			X				X			X		X
CFBT410	14 x 66			X				X					X
CFBT470	14 x 74			X				X					X
LINEARS													
CFBL90	6 x 20			X	X				X	X	X	X	
CFBL110	6 x 26			X	X				X	X	X	X	
CFBL130	8 x 32			X		X			X	X	X	X	
CFBL150	8 x 38			X		X			X		X	X	
CFBL190	8 x 44			X		X			X		X	X	
CFBL210	10 x 50			X		X			X		X	X	
CFBL250	10 x 56			X			X		X		X	X	
CFBL270	12 x 62			X			X		X		X	X	

See all burners at our website or call us at 877.556.5255 to learn what will work best for your project.



Need something unique? Call us to discuss your custom project **877.556.5255** or visit www.Warming-Trends.com

Name _____ Dealer _____

Address _____ Dealer City/State _____

City/State _____ Dealer Phone _____

Phone _____ Date _____

FIRE PIT INFORMATION

Gas Pipe Size _____ Gas Type (Check one) NG LP

Gas Line Distance to Pit (ft) _____ No. of Connections in Line _____

No. of Appliances on Gas Line (including fire pit) _____

Inside Dimensions of Fire Pit _____ x _____ x _____
(width) (length) (height)

Other information _____

Estimated BTUs Available _____

(Reference Gas Sizing Chart)

ORDER DETAIL

Burner Product # _____

Plate Pan Size _____

Flex Line Kit _____

Ignition System (check one) _____ Match Lit _____ Push Button _____ 3 Volt

_____ 24 Volt Spark Ignition _____ 24 Volt Hot Surface Ignition (Standard Capacity)

_____ 24 Volt Hot Surface Ignition (High Capacity)

Electronic Add-Ons _____ 3 Volt Remote _____ 24 Volt Key Chain Remote _____ Bluetooth Remote

_____ Emergency Stop _____ 2 Hour Dial Timer _____ 12 Hour Dial Timer

Accessories Black Lava Rock Ceramic Oak Logs _____ (set size)

Red Lava Rock Steel Log Set _____ (set size)

Rolled Lava Fire Glass _____ (color)

Cover

Other information _____

Submit orders to orders@warming-trends.com
Please call with any questions 303 346 2224



WARMING TRENDS[®]

www.Warming-Trends.com | 303 346 2224

Proud Members of

